



**LIFTING
CLAMPS**



QUALITY CLAMPS YOU CAN TRUST



Terrier Lifting Clamps

Quality Clamps You Can Trust

Terrier Lifting Clamps & Equipment	4
5 Years Warranty	5
Safe Lifting	6-7

Terrier Lifting Clamps Product Range



Vertical Lifting	8
TS / TSE / STS	9
TSMP / TSEMP / STSMP	10
TSU / TSEU / STSU	11
TSEU-A	12
TS-R / TSE-R / TSU-R / TSEU-R	13
TSHP / TSHP-A	14
TSHPU	15
TCK	16
TJP / TJPU	17



Horizontal Lifting	18
FHX / FHSX	19
TDH	20
THSK / FHX-V	21



Non-Marking Lifting	22
TNMK / STNMK / TNMK-A	23
TNMH	24
TBLC	25



Beam lifting	26
FBK	27
TOBK	28
FSV / FSVS / FSVSU	29



Screw Clamps	30
TSCC / TSCC-W	31
TBS	32



Drum Lifting	33
TVK / TVKH	34
TVSH	35



Pipe Lifting	36
TPH / TPH-HD	37
TBC / TBC-A	38
TTL	39



Special Lifting	40
Hardox	41
Stelcon / TRC	42



Spare Parts Service	43
---------------------------	----

Terrier Lifting Clamps and Equipment – Quality Clamps You Can Trust

For more than 30 years Terrier is a worldwide known brand which stands for high quality lifting solutions and service. Terrier Lifting Clamps BV has six main values we stand for.

Absolute Safety

Terrier Lifting Clamps BV believes absolute safety and safe lifting is our number one priority. All our lifting clamps are tested on up to 2 times the Working Load Limit (WLL). Terrier lifting clamps are designed on a break factor of even 5 times the WLL. Each clamp has red signal colouring on the lifting eye and locking lever for extra safety and is supplied with a test certificate. When using Terrier clamps please make sure to read our safety instructions in the "Safe Lifting" section on page 6 and 7 and the supplied user manual.

Guaranteed Tough Quality Made in Holland

Terrier tough quality lifting clamps guarantee a high performance and a long operational life. They are maintenance-friendly and have "heavy duty" welded shell bodies. The lightweight and streamlined design make them easier to handle. Terrier lifting clamps meet all standards and requirements like: European Norm NEN 13155, American Norm ASME B30.20-2010, Australian Norm 4991 and European Machine Directive 2006/42/EC.

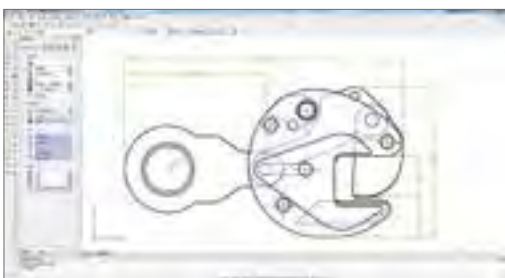


Fast and Flexible Delivery and Service

Terrier Lifting Clamps BV guarantees fast and flexible delivery of standard and even special lifting products. Terrier Lifting Clamps BV offers rapid, skilled and professional sales service and after-sales spare parts service. Next to this Terrier Lifting Clamps BV offers specific technical, sales and or instruction trainings upon request and given where needed.

Modern Production, Innovation and Technical Know-how

Terrier lifting clamps has a strong focus on innovation. We can help you with almost every special made clamp or lifting product. The production facilities for the production of Terrier lifting clamps is equipped with very modern machineries for efficient production on a constant high quality level. Engineering and technical know-how is on the highest level according to the latest industry standards and demands.



30 Years Worldwide Experience

The Terrier Lifting Clamps BV team has more than 30 years of sales experience on a global level and has a highly experienced engineering and technical team. Terrier Lifting Clamps BV relies on and works with a strong and professional worldwide distributor network which ensures that the expected quality and service is guaranteed. Terrier Lifting Clamps BV is ISO 9001-2008 certified.

Professional and Personal Contact

Terrier Lifting Clamps BV is proud of her no-nonsense personal and professional contact and makes sure you will always get the highest service expected. You can find us through a Terrier distributor, call us or check our website.

5 Years Warranty - Tough Quality Guaranteed

Terrier Lifting Clamps BV provides a 5 year extended warranty on its lifting clamps. The standard warranty is 1 year. This extended warranty is applicable to the original end user of the lifting clamps, only if the clamp has been inspected, checked and maintained by our instructions and by an official dealer. The extended warranty period of 5 years is valid from the date of purchase, and is liable to all conditions and terms stated in this document.

Product Tracking

Product model type, serial number, working load limit (WLL), jaw opening, CE mark and year of fabrication are permanently stamped on the body. Company name, logo and website address is communicated with a sticker. For the US a special ASME BTH-1 design category and service class sticker is added. Model, serial and order number, working load limit (WLL), jaw opening and testing date are included on the test certificate. A product manual with inspection schedule is delivered with every product.

Conditions

This extended warranty covers failures in the lifting clamp which are the consequences of production errors which occur during normal use. The warranty does not cover wear to components such as pivots, cam assemblies, lock springs, etc. Should there be failure within this guarantee period, the lifting clamp will be replaced or repaired. Please check the product manual for extra warranty coverage info.

The producer is not responsible for incidental damage or damage due to wrong use of the lifting clamp as well as from violation of the guarantee manual.

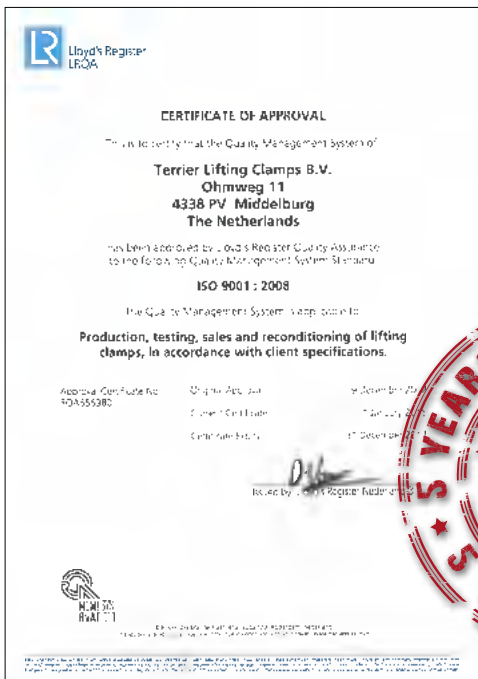
Safety Inspection Procedure

All inspections and repairs must be written down in the maintenance diagram/log. The clamp must be inspected prior to usage. When the clamp is returned for maintenance inspection you must always provide the maintenance diagram/log.

Defective Lifting Clamps

When wear or damage is indicated, the following steps need to be taken immediately:

1. TAKE THE LIFTING CLAMP OUT OF USE
2. If failure is in question please note the date of failure of the lifting clamp. Try to recover the cause of the failure, for example, overload; wrong and/or carelessly use; not following procedures and measures; hoisting differing material other than indicated on clamp or stated in the user-manual; adapting and/or modifying of the Terrier clamp. These claims do not fall under the guarantee! To guarantee the safety of you and your colleagues, you are obligated to follow this procedure
3. Return your lifting clamp (with the maintenance history) to your authorised Terrier distributor.
4. If the lifting clamp has been revised / repaired by your distributor, you can safely use your clamp again. Please note this date in your maintenance chart (product manual).



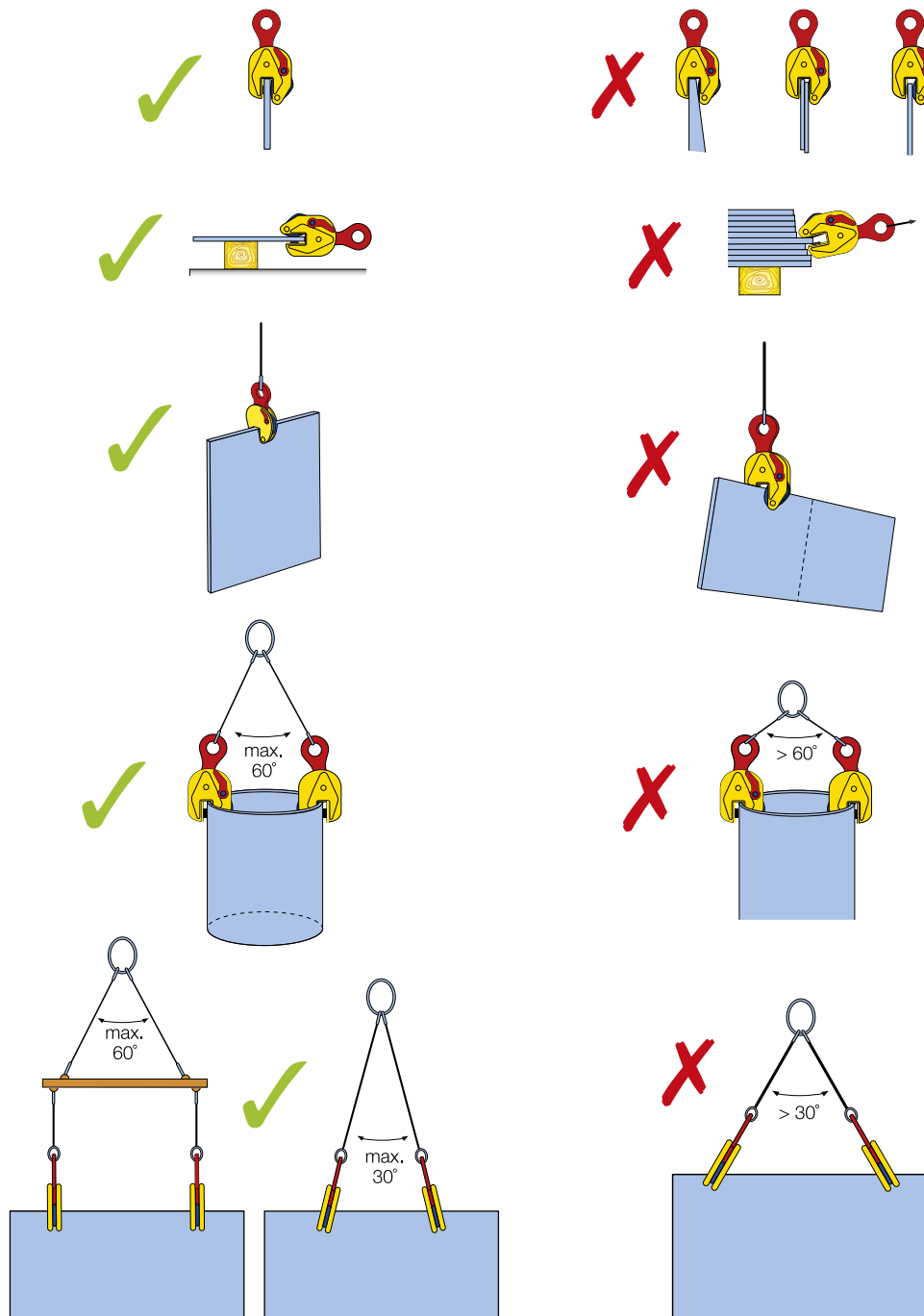
Absolute Safety

Your safety and safe lifting is our number one priority.

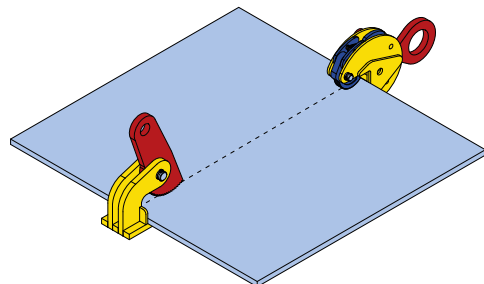
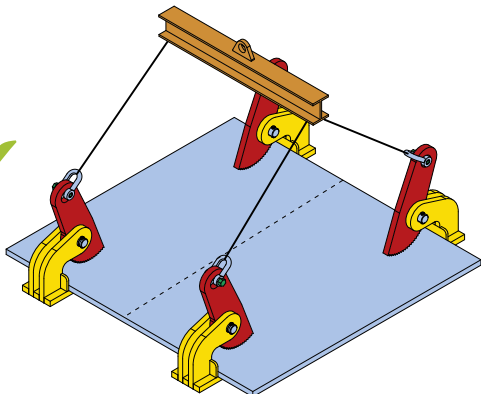
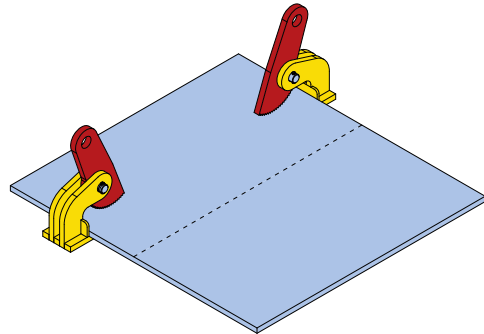
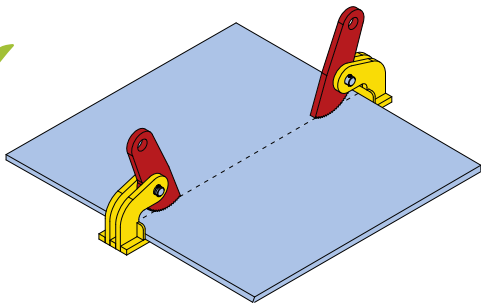
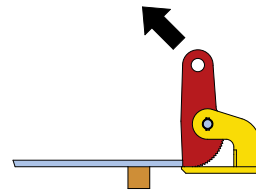
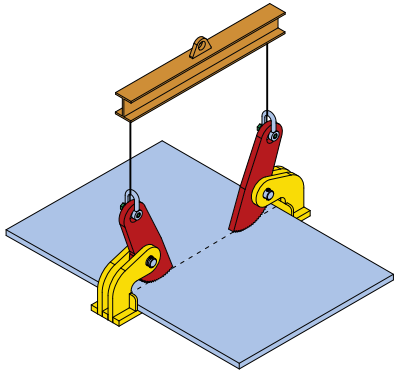
Make sure to read the below safe lifting instructions before using Terrier lifting clamps.

Each product sheet gives extra information on safe lifting and specific application.

- **Always first read the manual before using a clamp for operating, application, safety, maintenance, inspection and warranty instructions**
- Lifting clamps are suitable for usage in normal atmospheric conditions (-40°C up to +100°C) unless stated otherwise
- Never overload a clamp and prevent the jerking of loads
- When loading always use the whole jaw depth
- Never lift more than one plate at the same time
- Always keep your distance during lifting and descending of a load
- Prevent situations that anybody is under the load
- Any welding to the clamp is forbidden, this can influence the hardness and toughness of the clamp



Safe Vertical Lifting



Safe Horizontal Lifting

VERTICAL LIFTING



TS / TSE / STS

Heavy duty lightweight vertical lifting clamp

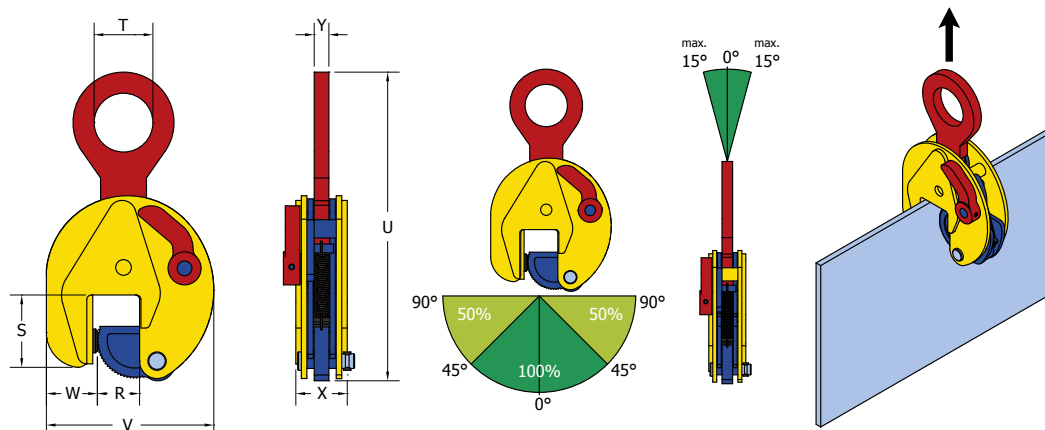
Application:

- For vertical lifting, transporting and turning of all steel plates and structures
- Jaw openings available from: 0 to 150 mm
- TSE/STS types are supplied with enlarged jaw-opening
- Working load limit (WLL) 750 - 30000kg (Higher WLL available upon request)
- Min. WLL is 10% of max. WLL

Note: The plate surface of the material must have a hardness level of max. HRC 37/345 Hb

Features and Benefits:

- Lightweight design for easy handling
- Tough quality heavy duty welded shell body
- Always equipped with a safety mechanism, ensuring the clamp does not slip when lifting force is applied and when load is being lowered
- Clamp is locked in closed as well as open position
- Maintenance-friendly, easy to exchange parts which are available upon request



Article Nr.	Type	Capacity (kg/pc)	Jaw opening (R) (mm)	Dimensions in mm							Weight (kg/pc)
				S	T	U	V	W	X	Y	
850000	0.75 TS	750	0 - 13	47	30	202	100	37	37	10	1,7
850880	1 TSE	1000	0 - 25	56	45	263	141	37	47	15	3,5
850901	2 TSE *	2000	0 - 35	78	64	336	183	56	56	16	7
850331	3 TSE *	3000	0 - 35	78	64	336	183	56	56	16	7
850441	4.5 TS	4500	0 - 25	85	70	423	203	60	77	20	15
850451	4.5 TSE	4500	0 - 45	85	70	425	228	60	78	20	16
850301	6 TS	6000	0 - 32	114	75	490	225	78	78	20	19
851411	6 TSE	6000	0 - 50	114	75	490	259	82	78	20	21
850401	7.5 TS	7500	0 - 40	111	75	530	246	76	82	20	24
851501	7.5 TSE	7500	0 - 55	111	75	522	267	70	86	20	26
851551	9 TS	9000	0 - 55	111	75	522	267	70	86	20	27
850501	12 TS	12000	0 - 52	148	85	617	295	100	94	44	37
915000	15 TS	15000	0 - 76	209	86	810	373	136	106	49	70
917000	17 TS	17000	0 - 76	209	86	810	373	136	106	49	71
920000	20 TS	20000	0 - 80	250	100	933	563	153	140	66	149
925000	25 TS	25000	5 - 85	250	100	925	563	148	140	66	149
930000	30 TS	30000	10 - 90	250	100	918	568	153	142	66	155,5
852200	6 STS	6000	40 - 90	114	75	486	275	70	78	20	21
854300	7.5 STS	7500	50 - 100	111	75	524	312	70	86	20	26,5
853305	9 STS	9000	50 - 100	111	75	522	312	70	86	20	27,5
852401	12 STS	12000	50 - 100	152	85	615	344	100	94	44	41
921500	15 STS	15000	80 - 150	224	86	800	450	136	106	49	76
922000	20 STS	20000	80 - 150	249	100	924	640	153	140	66	160
922500	25 STS	25000	80 - 150	249	100	924	640	153	140	66	160
923000	30 STS	30000	80 - 150	249	100	906	645	156	142	66	165,5

* Available with a remote control

Specifications are subject to change

TSMP / TSEMP / STSMP

Three way articulated linkage arrangement for flexible lifting and extended reach

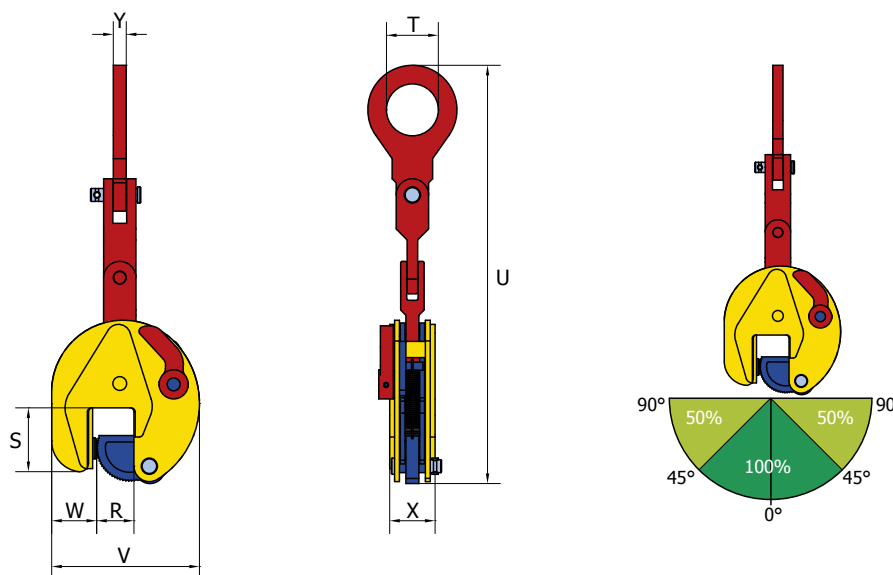
Application:

- For vertical lifting, transporting and turning of all steel plates and structures
- Jaw openings available from: 0 to 100 mm
- TSEMP / STSMP types are supplied with enlarged jaw opening
- Working load limit (WLL) 750 - 9000kg (Higher WLL available upon request)
- Min. WLL is 10% of max. WLL

Note: The plate surface of the material must have a hardness level of max. HRC 37/345 Hb

Features and Benefits:

- With three way articulated linkage arrangement lifting shackle
- Enjoy all the benefits of the TS clamps with extra reach and lifting flexibility
- When attached to a fixed load bearing arm (e.g. spreader bar) the clamp will retain its flexibility and no chain is needed
- Due to length of the three way linkage arrangement the clamp can be lowered further between standing plates or structures
- Always equipped with a safety mechanism, ensuring the clamp does not slip when lifting force is applied and when load is being lowered
- Clamp is locked in closed as well as open position
- Lightweight design for easy handling
- Tough quality heavy duty welded shell body
- Maintenance-friendly, easy to exchange parts which are available upon request



Article Nr.	Type	Capacity (kg/pc)	Jaw opening (R) (mm)	Dimensions in mm							Weight (kg/pc)
				S	T	U	V	W	X	Y	
850010	0.75 TSMP	750	0 - 13	47	30	307	100	37	37	10	2
850818	1 TSEMP	1000	0 - 25	56	45	403	141	37	47	15	4,5
850911	2 TSEMP*	2000	0 - 35	78	64	516	183	56	56	16	8
850221	3 TSEMP*	3000	0 - 35	78	64	516	183	56	56	16	8
851401	4.5 TSEMP	4500	0 - 45	85	70	650	228	60	78	20	19
850311	6 TSMP	6000	0 - 32	114	75	760	225	78	78	20	24
851511	6 TSEMP	6000	0 - 50	114	75	760	259	82	78	20	25,5
850411	7.5 TSMP	7500	0 - 40	111	75	800	246	76	82	20	29
851510	7.5 TSEMP	7500	0 - 55	111	75	792	267	70	86	20	30,5
851515	9 TSMP	9000	0 - 55	111	75	792	267	70	86	20	31
852210	6 STSMP	6000	40 - 90	114	75	756	275	70	78	20	26
854310	7.5 STSMP	7500	50 - 100	111	75	695	312	70	86	20	31,5
853315	9 STSMP	9000	50 - 100	111	75	792	312	70	86	20	32,5

* Available with a remote control

TSU / TSEU / STSU

Best selling lightweight heavy duty clamp for universal lifting

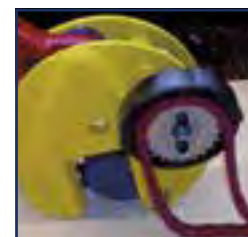
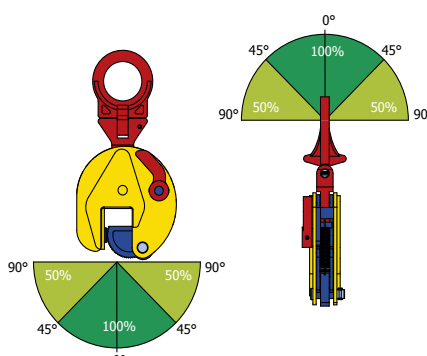
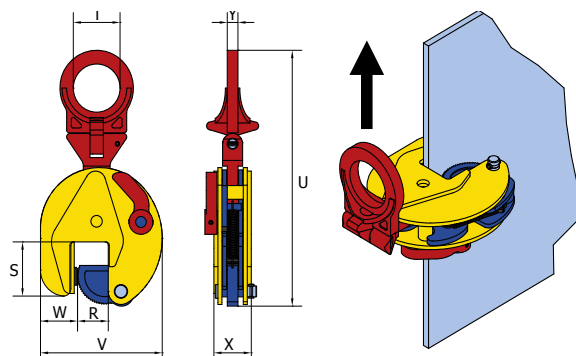
Application:

- For vertical lifting, transporting and turning of all steel plates and structures from all positions
- Jaw openings available from: 0 to 150 mm
- TSEU / STSU types are supplied with enlarged jaw opening
- Working load limit (WLL) 750 - 30000kg (Higher WLL available upon request)
- Min. WLL is 10% of max. WLL

Note: The plate surface of the material must have a hardness level of max. HRC 37/345 Hb

Features and Benefits:

- With articulated lifting shackle for universal lifting flexibility at various angles
- The articulated lifting shackle guarantees a pressure grip in every position, even when side loading up to 90 degrees. Note a lower load capacity when lifting in an angle higher than 45 degrees. Please check the WLL reduction below
- Longer plates can be lifted without the use of a spreader beam when using two clamps on a two legged chain sling
- Always equipped with a safety mechanism, ensuring the clamp does not slip when lifting force is applied and when load is being lowered
- Clamp is locked in closed as well as open position
- Lightweight, maintenance-friendly, heavy duty body



* Remote control

Article Nr.	Type	Capacity (kg/pc)	Jaw opening (R) (mm)	Dimensions in mm							Weight (kg/pc)
				S	T	U	V	W	X	Y	
855000	0.75 TSU	750	0 - 13	47	30	203	100	37	37	10	1,8
865800	1 TSEU	1000	0 - 25	56	50	292	141	37	47	15	3,8
855601	2 TSEU *	2000	0 - 35	78	70	372	183	56	56	16	8
865331	3 TSEU *	3000	0 - 35	78	70	372	183	56	56	16	8
865441	4.5 TSU	4500	0 - 25	85	70	429	203	60	77	20	16
865301	4,5 TSEU	4500	0 - 45	85	70	431	228	60	78	20	16,5
865401	6 TSU	6000	0 - 32	114	78	528	225	78	78	32	22
865411	6 TSEU	6000	0 - 50	114	78	527	259	82	78	32	24
865601	7.5 TSU	7500	0 - 40	111	78	567	246	76	82	32	27
855400	7.5 TSEU	7500	0 - 55	111	78	560	267	70	86	32	28
855405	9 TSU	9000	0 - 55	111	78	560	267	70	86	32	29
865901	12 TSU	12000	0 - 52	148	85	648	295	100	94	48	41
955150	15 TSU	15000	0 - 76	209	85	816	373	136	106	48	73
955170	17 TSU	17000	0 - 76	209	85	816	373	136	106	48	74
955200	20 TSU	20000	0 - 80	250	100	948	563	153	140	71	160
955250	25 TSU	25000	5 - 85	250	100	948	563	148	140	71	160
955300	30 TSU	30000	10 - 90	250	100	944	568	153	142	71	167
856200	6 STSU	6000	40 - 90	114	78	523	275	70	78	32	24
856300	7.5 STSU	7500	50 - 100	111	78	560	312	70	86	32	30
855305	9 STSU	9000	50 - 100	111	78	560	312	70	86	32	31
856401	12 STSU	12000	50 - 100	152	85	644	344	100	94	48	45
966150	15 STSU	15000	80 - 150	224	85	808	450	136	106	48	78
966200	20 STSU	20000	80 - 150	249	100	940	640	153	140	71	171
966250	25 STSU	25000	80 - 150	249	100	940	640	153	140	71	171
966300	30 STSU	30000	80 - 150	249	100	946	645	156	142	71	176,5

* Available with a remote control

TSEU-A

Universal heavy duty clamp with adjustable extra large jaw opening

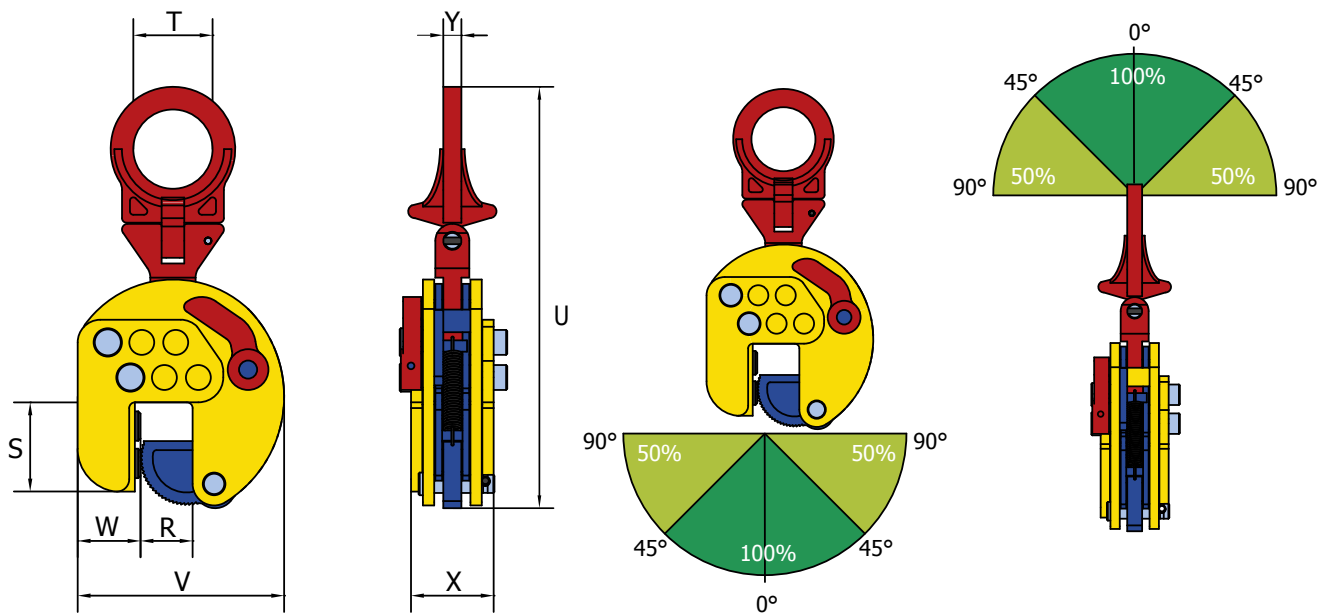
Application:

- For vertical lifting, transporting and turning of all steel plates and structures from all positions
- Adjustable Jaw opening from: 0 to 95 mm
- 3 different jaw positions. Adjustable by steps of 30 mm
- Working load limit (WLL) 3000kg. Min. WLL is 10% of max. WLL

Note: The plate surface of the material must have a hardness level of max. HRC 37/345 Hb

Features and Benefits:

- Only 1 clamp needed for different kind of jobs
- Also the same clamp can be used if a big jaw opening is necessary
- With articulated lifting shackle for universal lifting flexibility at various angles
- The articulated lifting shackle guarantees a pressure grip in every position, even when side loading up to 90 degrees. Note a lower load capacity when lifting in an angle higher than 45 degrees. Please check the WLL reduction below
- Longer plates can be lifted without the use of a spreader beam when using two clamps on a two legged chain sling
- Standard with 2 pivots for extra clamping force
- Always equipped with a safety mechanism, ensuring the clamp does not slip when lifting force is applied and when load is being lowered
- Clamp is locked in closed as well as open position
- Lightweight design for easy handling
- Tough quality heavy duty welded shell body
- Maintenance-friendly, easy to exchange parts which are available upon request



Article Nr.	Type	Capacity (kg/pc)	Jaw opening (R) (mm)	Dimensions in mm						Weight (kg/pc)	
				S	T	U	V	W	X		Y
863300	3 TSEU-A	3000	0 - 95	79	70	373	183-243	51	77	16	10

TS-R / TSE-R / TSU-R / TSEU-R

Specially made for stainless steel lifting

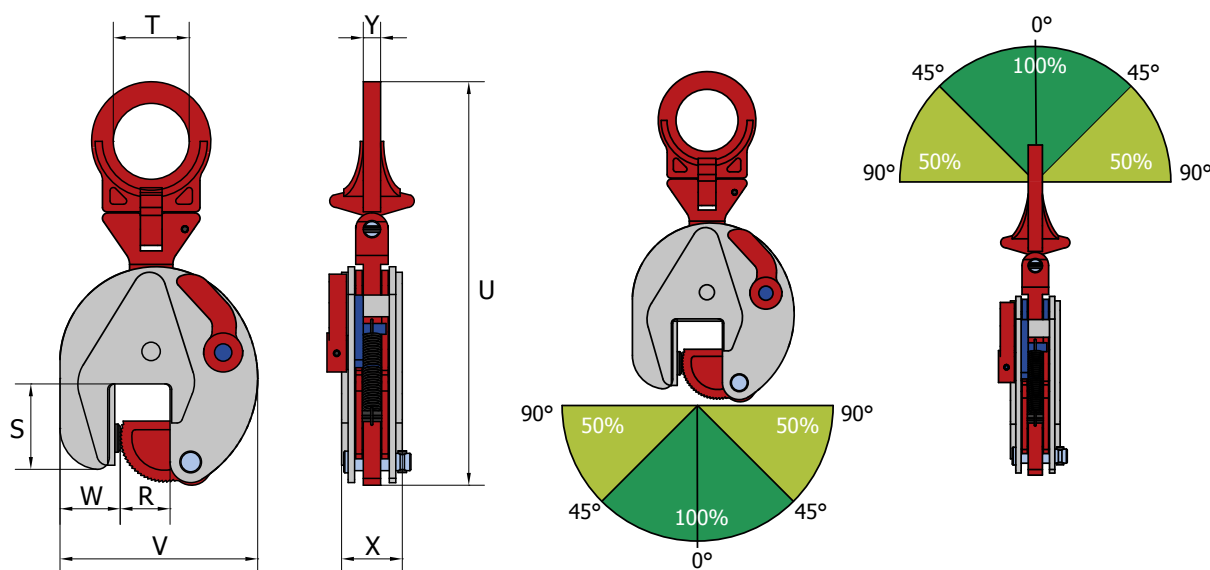
Application:

- For vertical lifting, transporting and turning of stainless steel plates and structures
- Jaw openings available from: 0 to 55 mm
- TSE-R / TSEU-R types are supplied with enlarged jaw opening
- Working load limit (WLL) 750 - 7500kg. Min. WLL is 10% of max. WLL

Note: The plate surface of the material must have a hardness level of max. HRC 37/345 Hb

Features and Benefits:

- Pivot and cam are made of stainless steel
- Body and lock lever are nickel plated to prevent corrosion due to carbon contamination
- TSU-R / TSEU-R come with articulated lifting shackle for universal lifting flexibility at various angles
- TS-R / TSE-R come with standard lifting shackle
- Always equipped with a safety mechanism, ensuring the clamp does not slip when lifting force is applied and when load is being lowered
- Clamp is locked in closed as well as open position
- Lightweight design for easy handling
- Tough quality heavy duty welded shell body
- Maintenance-friendly, easy to exchange parts which are available upon request



Article Nr.	Type	Capacity (kg/pc)	Jaw opening (R) (mm)	Dimensions in mm							Weight (kg/pc)
				S	T	U	V	W	X	Y	
861075	0.75 TS-R	750	0 - 13	47	30	202	100	37	37	10	1,7
861100	1 TSE-R	1000	0 - 25	56	45	263	141	37	47	15	3,5
861200	2 TSE-R	2000	0 - 35	78	64	336	183	56	56	16	7
861300	3 TSE-R	3000	0 - 35	78	64	336	183	56	56	16	7
861450	4.5 TSE-R	4500	0 - 45	85	70	425	228	60	78	20	16
861600	6 TSE-R	6000	0 - 50	114	75	490	259	82	78	20	21
861750	7.5 TSE-R	7500	0 - 55	111	75	522	267	70	86	20	26
862075	0.75 TSU-R	750	0 - 13	47	30	203	100	37	37	10	1,8
862100	1 TSEU-R	1000	0 - 25	56	50	292	141	37	47	15	3,8
862101	2 TSU-R	2000	0 - 20	78	70	370	165	54	56	16	7
862200	2 TSEU-R	2000	0 - 35	78	70	372	183	56	56	16	8
862300	3 TSEU-R	3000	0 - 35	78	70	372	183	56	56	16	8
862450	4,5 TSEU-R	4500	0 - 45	85	70	431	228	60	78	20	16,5
862600	6 TSEU-R	6000	0 - 50	114	78	527	259	82	78	32	24
862750	7.5 TSEU-R	7500	0 - 55	111	78	560	267	70	86	32	28

TSHP / TSHP-A

Lightweight clamp with extra large jaw opening

Application:

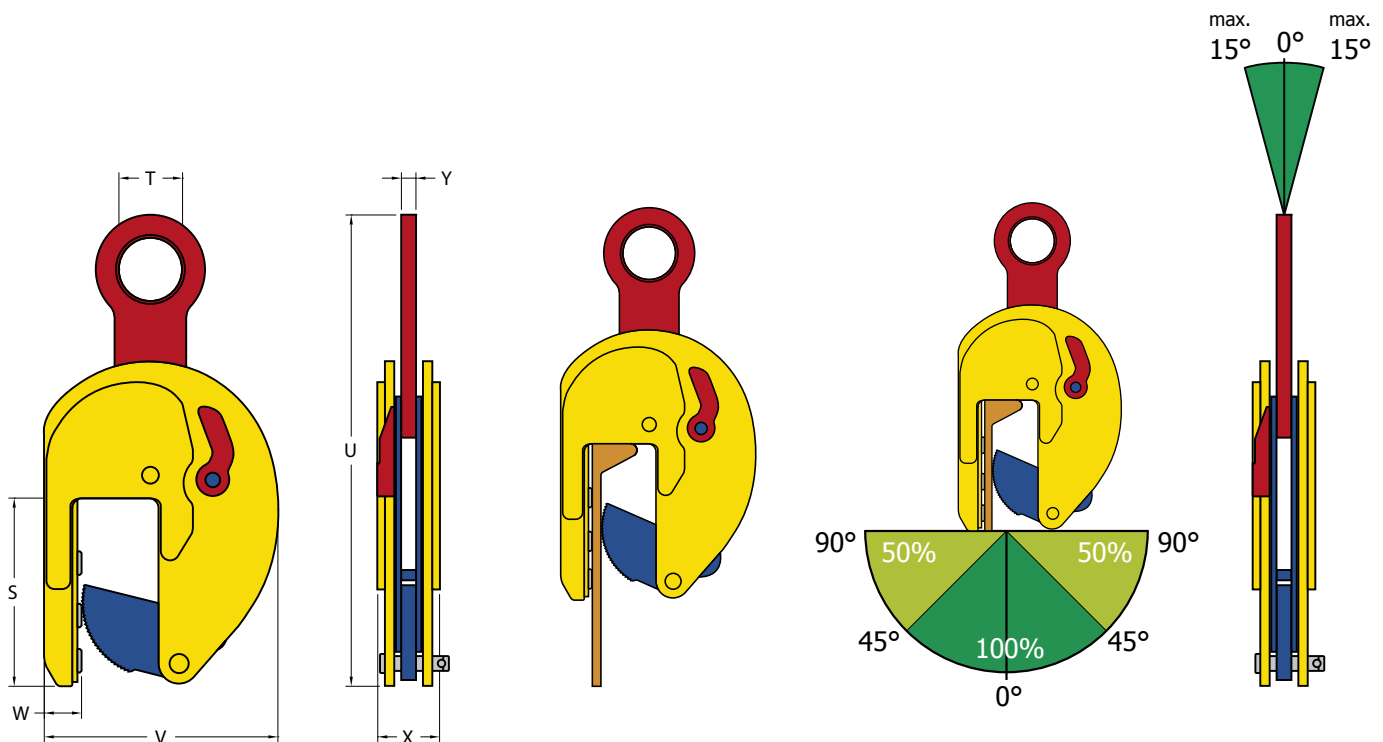
- For vertical lifting, handling and transporting of Holland Profile (HP) shipbuilding structures, steel plates and structures
- Turning lathe clamp
- TSHP jaw opening from 0 to 80 mm
- TSHP-A adjustable jaw opening available from: 0 to 155 mm
- TSHP / TSHP-A Working load limit (WLL) 1000 - 1500kg
- Higher WLL available upon request. Min. WLL is 10% of max. WLL
- Lifting of longer sections should be done with a spreader beam

Note: The plate surface of the material must have a hardness level of max. HRC 37/345 Hb



Features and Benefits:

- Also useful as a "big-jaw" opening clamp
- Standard with 3 pivots for extra powerful clamping force
- Easy handling of workpieces in and out of lathe due to extra small W-dimensions (see illustration)
- Lightweight design for easy handling
- Tough quality heavy duty welded shell body
- Always equipped with a safety mechanism, ensuring the clamp does not slip when lifting force is applied and when load is being lowered
- Clamp is locked in closed as well as open position
- Maintenance-friendly, easy to exchange parts which are available upon request



Article Nr.	Type	Capacity (kg/pc)	Jaw opening (R) (mm)	Dimensions in mm							Weight (kg/pc)
				S	T	U	V	W	X	Y	
860110	1 TSHP	1000	0 - 80	207	70	520	257	41	68	16	19
860111	1.5 TSHP	1500	0 - 80	207	70	520	257	41	68	16	19
860155	1.5 TSHP-A	1500	0 - 155	160	70	523	256-333	62	66	16	18

TSHPU

Lightweight Holland Profile (HP) clamp for universal lifting

Application:

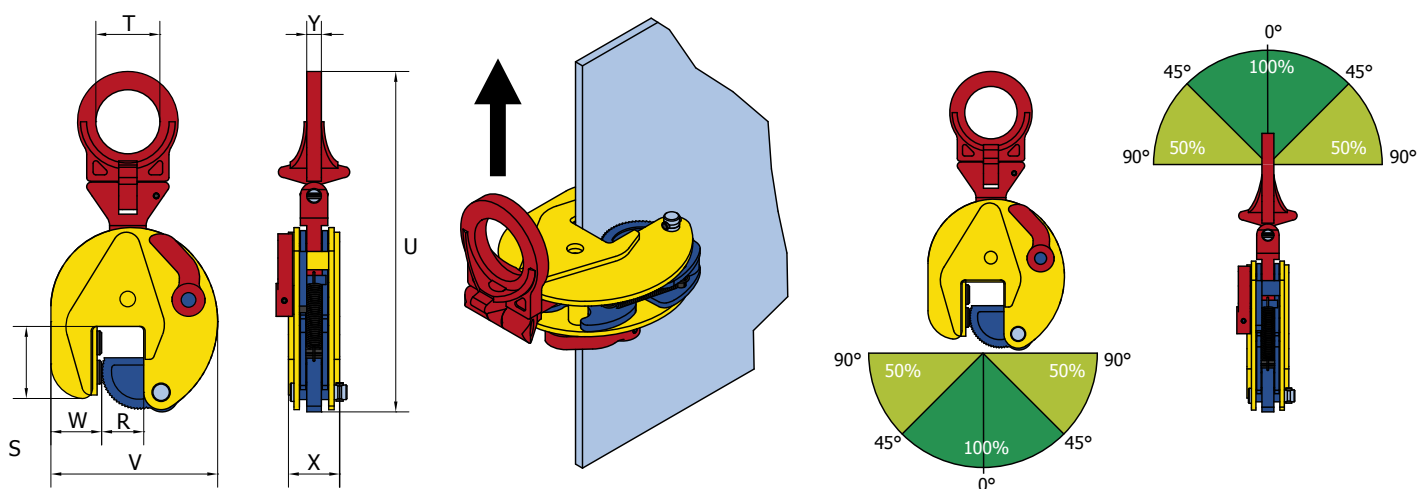
- For vertical lifting, handling and transporting of Holland Profile (HP) shipbuilding structures from all positions
- Jaw openings available from: 0 to 45 mm
- Working load limit (WLL) 3000 – 5000kg
- Higher WLL available upon request. Min. WLL is 10% of max. WLL
- Lifting of longer sections should be done with a spreader beam

Note: The plate surface of the material must have a hardness level of max. HRC 37/345 Hb



Features and Benefits:

- With articulated lifting shackle for universal lifting flexibility at various angles
- The articulated lifting shackle guarantees a pressure grip in every position, even when side loading up to 90 degrees. Note a lower load capacity when lifting in an angle higher than 45 degrees. Please check the WLL reduction below
- Standard with 2 pivots for extra powerful clamping force
- Always equipped with a safety mechanism, ensuring the clamp does not slip when lifting force is applied and when load is being lowered
- Clamp is locked in closed as well as open position
- Lightweight design for easy handling
- Tough quality heavy duty welded shell body
- Maintenance-friendly, easy to exchange parts which are available upon request



Article Nr.	Type	Capacity (kg/pc)	Jaw opening (R) (mm)	Dimensions in mm							Weight (kg/pc)
				S	T	U	V	W	X	Y	
860300	3 TSHPU	3000	0 - 35	93	70	369	182	58	54	16	8
860500	5 TSHPU	5000	0 - 45	110	70	434	228	58	86	20	17,3

TCK

Safe and easy square tube frame lifting

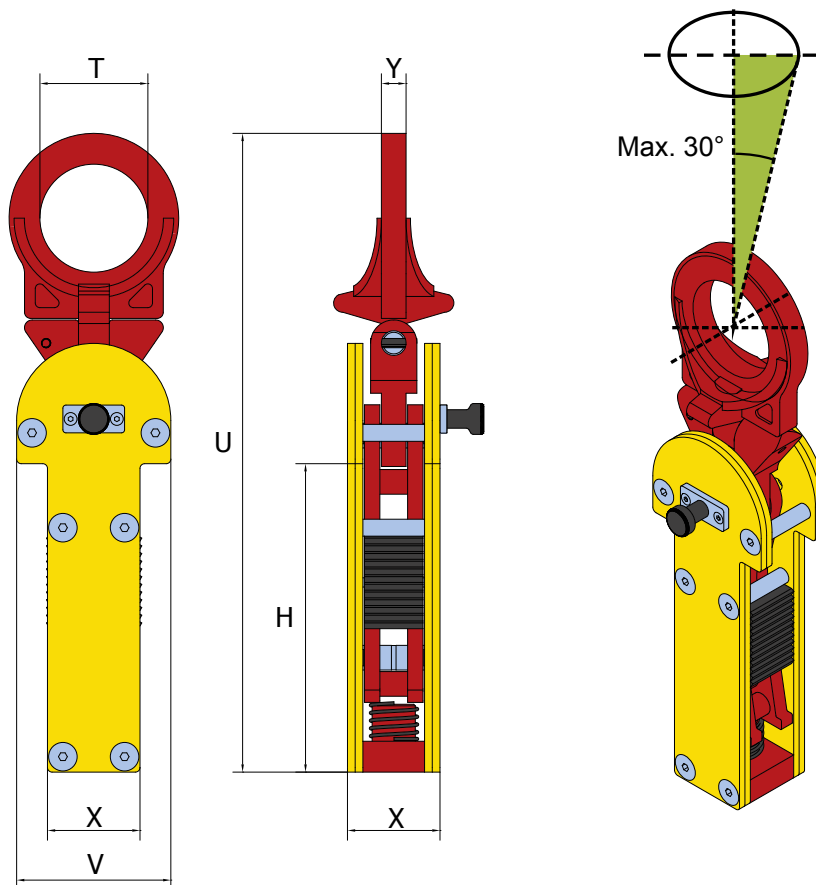
Application:

- For vertical lifting and transporting of structures where a square tube is used as a frame, e.g. mobile units etc. If the clamp is being loaded, the cams will pull out sideways and will grip into the sides of the square tube
- Jaw openings available from: 62 to 70 mm
- Working load limit (WLL) 3000kg
- Min. WLL is 10% of max. WLL

Note: The plate surface of the material must have a hardness level of max. HRC 37/345 Hb

Features and Benefits:

- Because of the compact design of the clamp, the clamp will not use more space than the dimensions of the square tube
- Equipped with articulated lifting shackle for extra lifting flexibility (max 30°)
- Standard with 2 high grip pivots for extra powerful clamping force
- Special locking devise ensuring safe and easy handling
- Lightweight design for easy handling



Article Nr.	Type	Capacity (kg/pc)	Jaw opening (R) (mm)	Dimensions in mm						Weight (kg/pc)
				U	X	H	T	Y	V	
810000	3 TCK	3000	62 - 70	449	60	200	70	16	100	6,9

TJP / TJPU

Designed for (thin) sheet metal lifting without minimum WLL

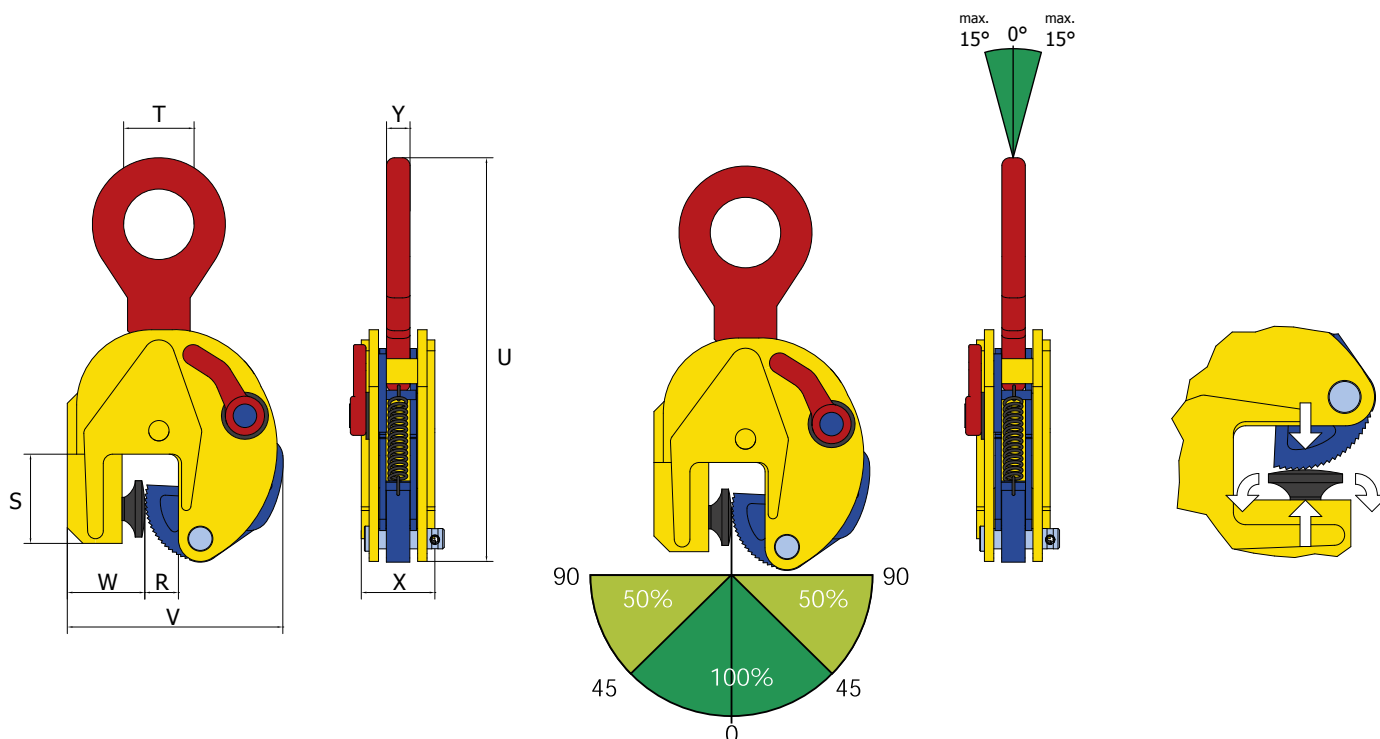
Application:

- For vertical lifting and transporting of (thin) sheet metal
- Jaw openings available from: 0 to 20 mm
- Working load limit (WLL) 250 - 1000kg.
- No min. WLL

Note: The plate surface of the material must have a hardness level of max. HRC 37/345 Hb

Features and Benefits:

- Equipped with a special pivot which will adapt itself to the load of the clamp generating extra friction, eliminating the chance of slipping loads
- TJPU comes with an articulated lifting shackle for universal lifting flexibility at various angles
- TJP comes with a standard lifting shackle
- Standard equipped with a safety mechanism, ensuring the clamp does not slip when lifting force is applied and when load is being lowered
- The clamp is locked in closed as well as in open position
- Lightweight design for easy handling
- Tough quality heavy duty welded shell body
- Maintenance-friendly, easy to exchange parts which are available upon request



Article Nr.	Type	Capacity (kg/pc)	Jaw opening (R) (mm)	Dimensions in mm							Weight (kg/pc)
				S	T	U	V	W	X	Y	
870700	0.25 TJP	250	0 - 13	54	30	202	113	50	37	10	1,9
870710	0.25 TJPU	250	0 - 13	54	30	202	113	50	37	10	2
870800	1 TJP	1000	0 - 20	56	45	260	137	48	45	15	3,8

HORIZONTAL LIFTING



FHX / FHSX

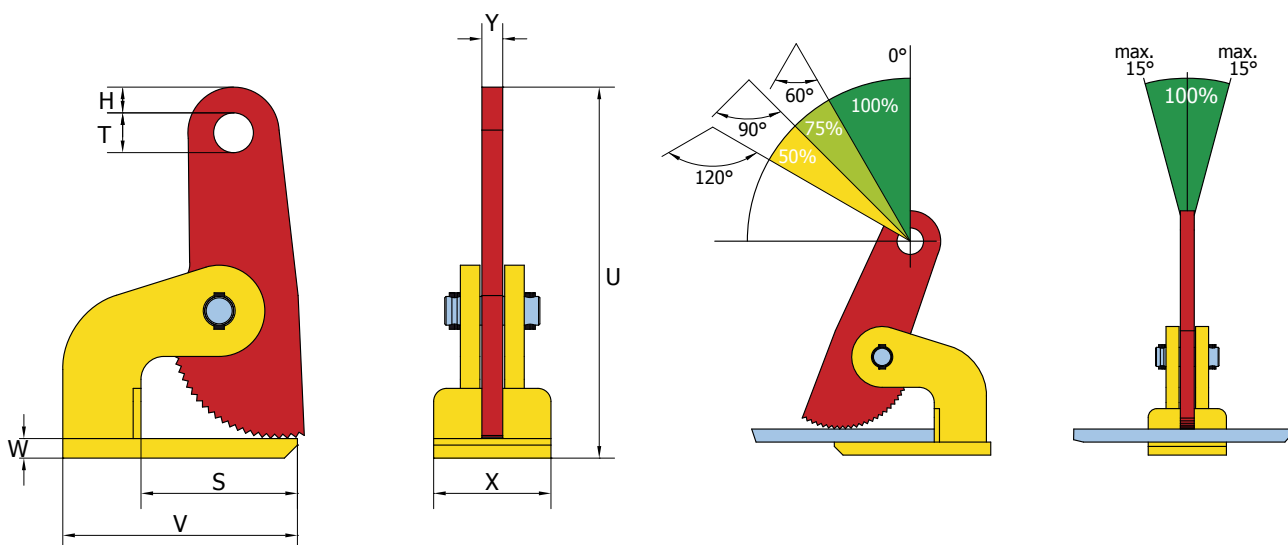
Lightweight heavy duty clamp for horizontal lifting

Application:

- For horizontal lifting and transporting of steel plates and other non-deflecting materials
- Terrier FHX / FHSX lifting clamps must always be used in pairs (or multiple pairs)
- Jaw openings available from: 0 to 150 mm
- FHSX types are supplied with enlarged jaw opening
- Working load limit (WLL) 1000 - 25000kg per pair (Higher WLL available upon request)

Features and Benefits:

- Compact design and high lifting capacity
- Lightweight design for easy handling
- Tough quality heavy duty welded body



Article Nr.	Type	Capacity (kg/pair)	Jaw opening (R) (mm)	Dimensions in mm								Weight (kg/pc)
				V	S	W	T	H	X	U	Y	
953100	1 FHX	1000	0 - 35	140	99	10	25	11,5	65	188	15	2,6
953200	2 FHX	2000	0 - 60	180	118	15	30,5	19,5	90	287	16	7
953300	3 FHX	3000	0 - 60	180	118	20	30,5	19,5	90	291	16	8
953400	4 FHX	4000	0 - 60	220	145	25	30,5	19,5	105	304	20	13
953600	6 FHX	6000	0 - 60	220	145	25	30,5	19,5	110	307	20	14
953800	8 FHX	8000	0 - 60	225	135	35	30,5	19,5	120	336	30	19
953010	10 FHX	10000	0 - 60	225	135	35	30,5	19,5	120	336	30	19
953012	12 FHX	12000	0 - 60	225	135	35	30,5	19,5	120	336	30	19
953015	15 FHX	15000	0 - 60	262	147	35	43	21,5	160	344	35	30
953025	25 FHX	25000	0 - 60	262	147	40	43	21,5	175	349	35	33
954200	2 FHSX	2000	0 - 100	180	120	15	30,5	19,5	90	383	15	9,2
954300	3 FHSX	3000	0 - 100	180	120	20	30,5	19,5	90	387	15	10
954400	4 FHSX	4000	0 - 100	220	145	25	30,5	19,5	105	414	20	15
954600	6 FHSX	6000	0 - 100	220	145	25	30,5	19,5	120	414	20	16,5
954800	8 FHSX	8000	0 - 100	225	135	35	30,5	19,5	120	428	30	21
954010	10 FHSX	10000	0 - 100	225	135	35	30,5	19,5	120	428	30	22
954012	12 FHSX	12000	0 - 100	225	135	35	30,5	19,5	120	428	30	22
853820	15 FHSX	15000	0 - 150	350	240	35	45	27,5	140	665	35	53

TDH

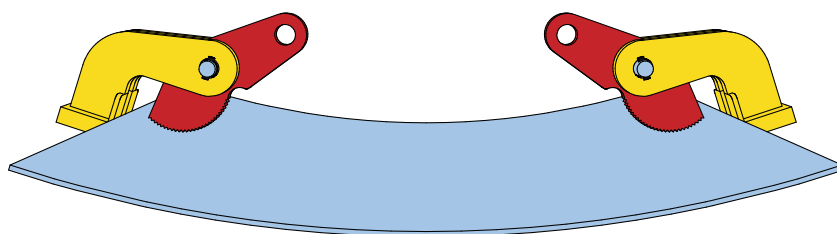
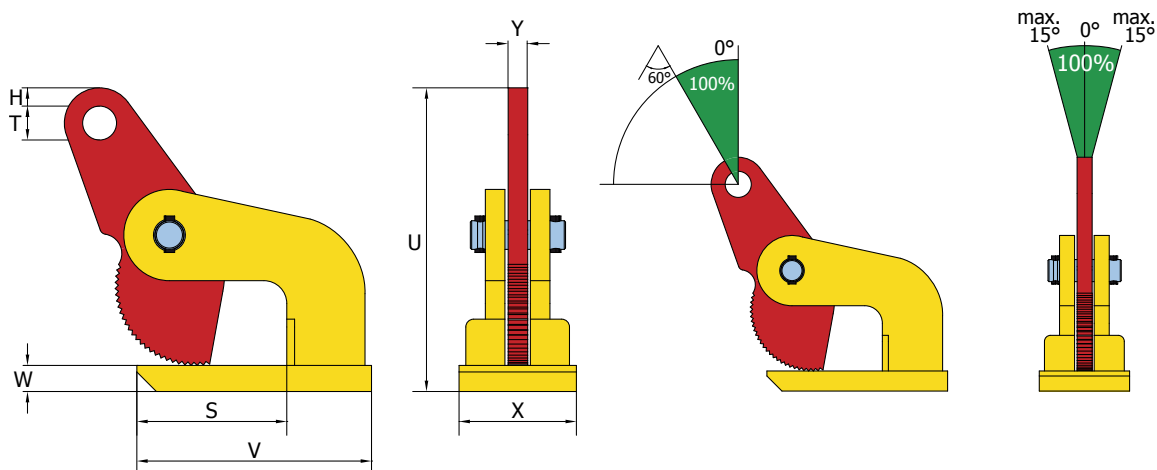
Lightweight heavy duty clamp for safe and easy lifting of bending sheets

Application:

- For horizontal lifting and transporting of sheets that will bend or deflect when being lifted
- Terrier TDH lifting clamps must always be used in pairs (or multiple pairs)
- Jaw openings available from: 0 to 50 mm
- Working load limit (WLL) 1000 - 6000kg

Features and Benefits:

- Compact design and high lifting capacity
- Lightweight design for easy handling
- Tough quality heavy duty welded body



Article Nr.	Type	Capacity (kg/pair)	Jaw opening (R) (mm)	Dimensions in mm								Weight (kg/pc)
				V	S	W	T	H	X	U	Y	
970100	1 TDH	1000	0 - 15	140	99	10	22,5	13,5	65	167	15	2,5
970200	2 TDH	2000	0 - 35	180	114	20	26	14	90	233	15	8
970400	4 TDH	4000	0 - 50	235	129	30	40	25	130	304	20	18
970600	6 TDH	6000	0 - 50	235	129	30	40	25	130	304	20	18

THSK

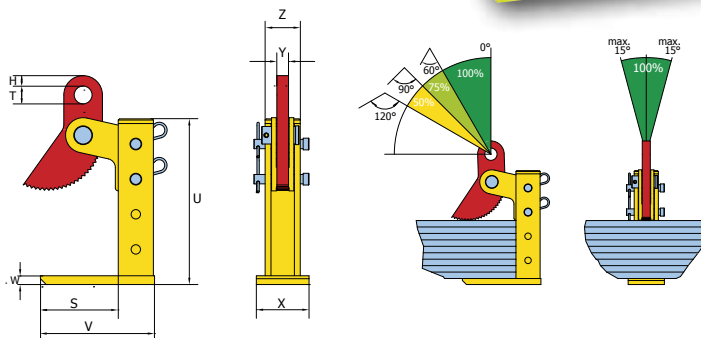
Adjustable extra large jaw opening for stacks, packages and thick single plate lifting

Application:

- For horizontal lifting, handling and transporting of banded/secured stacks, packages and or single thick steel plates
- Terrier THSK lifting clamps must always be used in pairs (or multiple pairs)
- Adjustable jaw offers wide variety of openings available from 3 to 420 mm
- Working load limit (WLL) 1500 - 9000kg per pair

Features and Benefits:

- Easy adjustable jaw opening
- Quick and easy placing and removing of the clamp
- Lightweight design for easy handling
- Tough quality heavy duty welded body



Article Nr.	Type	Capacity (kg/pair)	Jaw opening (R) (mm)	Dimensions in mm									Weight (kg/pc)
				V	S	W	T	H	U	X	Z	Y	
815180	1.5 THSK/180	1500	3 -180	201	135	15	30,5	18	289	90	60	20	9,5
815300	1.5 THSK/300	1500	3 -300	201	135	15	30,5	18	409	90	60	20	11
830180	3 THSK/180	3000	3 -180	241	165	20	30,5	18	296	105	69	20	13
830300	3 THSK/300	3000	3 -300	241	165	20	30,5	18	416	105	69	20	15
845180	4.5 THSK/180	4500	3 -180	241	165	20	30,5	18	296	105	69	20	13
845420	4.5 THSK/420	4500	3 -420	241	165	20	30,5	18	536	105	69	20	17
860180	6 THSK/180	6000	3 -180	256	160	25	30,5	18	304	120	75	20	18
860420	6 THSK/420	6000	3 -420	256	160	25	30,5	18	544	120	75	20	24
890180	9 THSK/180	9000	3 -180	256	160	25	30,5	18	304	120	75	20	18
890420	9 THSK/420	9000	3 -420	256	160	25	30,5	18	544	120	75	20	24

FHX-V

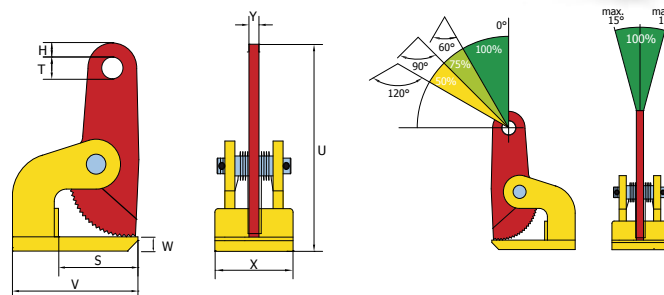
User-friendly horizontal clamp where the torsion spring ensures that the clamp stays in position after it has been set in place

Application:

- For horizontal lifting and transporting of steel plates and other non-deflecting materials
- Terrier FHX-V lifting clamps must always be used in pairs (or multiple pairs)
- Jaw openings available from: 0 to 60 mm
- Working load limit (WLL) 1000 - 6000kg

Features and Benefits:

- Pre-tensioned spring cam feature for easy single operator usage
- Clamp can be closed and fixed on any desired spot
- Compact and lightweight design for easy handling
- Tough quality heavy duty welded body



Article Nr.	Type	Capacity (kg/pair)	Jaw opening (R) (mm)	Dimensions in mm									Weight (kg/pc)
				V	S	W	T	H	U	X	Y		
953101	1 FHX-V	1000	0 - 35	140	99	10	26,5	12	188	85	15	3	
953201	2 FHX-V	2000	0 - 60	180	114	15	30,5	19	286	125	16	8	
953301	3 FHX-V	3000	0 - 60	200	125	20	30,5	19	302	140	20	12,2	
953401	4 FHX-V	4000	0 - 60	220	139	30	30,5	19	316	165	20	17	
953601	6 FHX-V	6000	0 - 60	220	139	30	30,5	19	316	165	20	17	

NON-MARKING LIFTING



TNMK / STNMK / TNMK-A

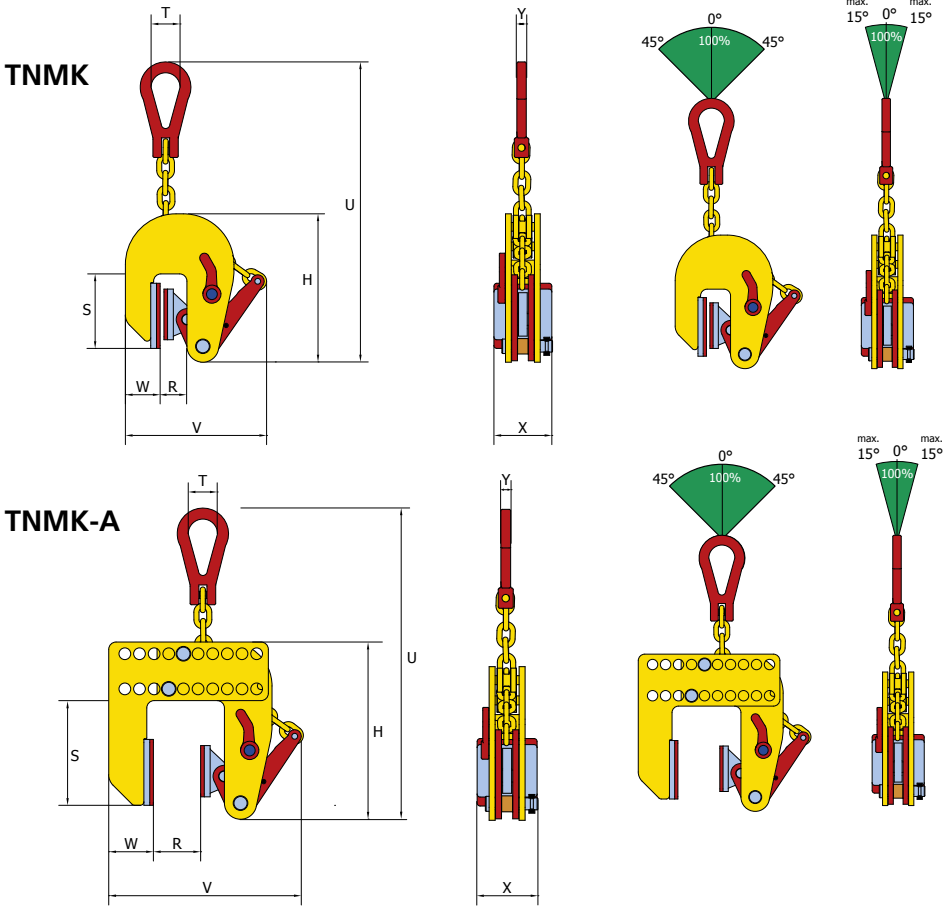
Vertical lifting without marking, scratching or damaging the material surface without minimum WLL

Application:

- For vertical lifting, transporting and turning of all plates and structures without marking, scratching and or damaging the material surface
- Perfect for lifting materials such as (stainless) steel, aluminum, nature stone, composite, painted materials, wood, glass, plastic, etc.
- Jaw openings available from: 0 to 60 mm
- STNMK types are supplied with enlarged jaw opening: 17 to 37 mm
- TNMK-A types are supplied with adjustable extra large jaw opening: 0 to 180 mm (A) (adjustable steps of 20 mm)
- Working load limit (WLL) 500 - 3000kg.
- No min. WLL

Features and Benefits:

- With 2 special synthetic anti-friction pads to guarantee non-marking
- Supplied with chain lifting shackle for flexible lifting
- Always equipped with a safety mechanism, ensuring the clamp does not slip when lifting force is applied and when load is being lowered
- Clamp is locked in closed as well as open position
- Lightweight, maintenance-friendly, heavy duty body



Article Nr.	Type	Capacity (kg/pc)	Jaw opening (R) (mm)	Dimensions in mm								Weight (kg/pc)
				H	S	T	U	V	W	X	Y	
862035	0.5 TNMK	500	0 - 20	205	102	40	462	224	48	80	14	6
862135	0.5 STNMK	500	17 - 37	205	102	40	462	241	48	80	14	6
862005	0.5 TNMK-A	500	0 - 180	242	143	40	410	235-395	61	80	14	10
862010	1 TNMK	1000	0 - 30	232	105	40	470	282	46	80	14	6,5
862037	1.5 TNMK	1500	0 - 40	232	105	40	470	282	46	80	14	6,5
862038	2 TNMK	2000	0 - 50	362	124	50	704	408	63	80	18	15
862039	3 TNMK	3000	0 - 60	362	124	50	704	408	63	80	18	15,5

Specifications are subject to change

TNMH

Horizontal lifting without marking, scratching or damaging the material surface

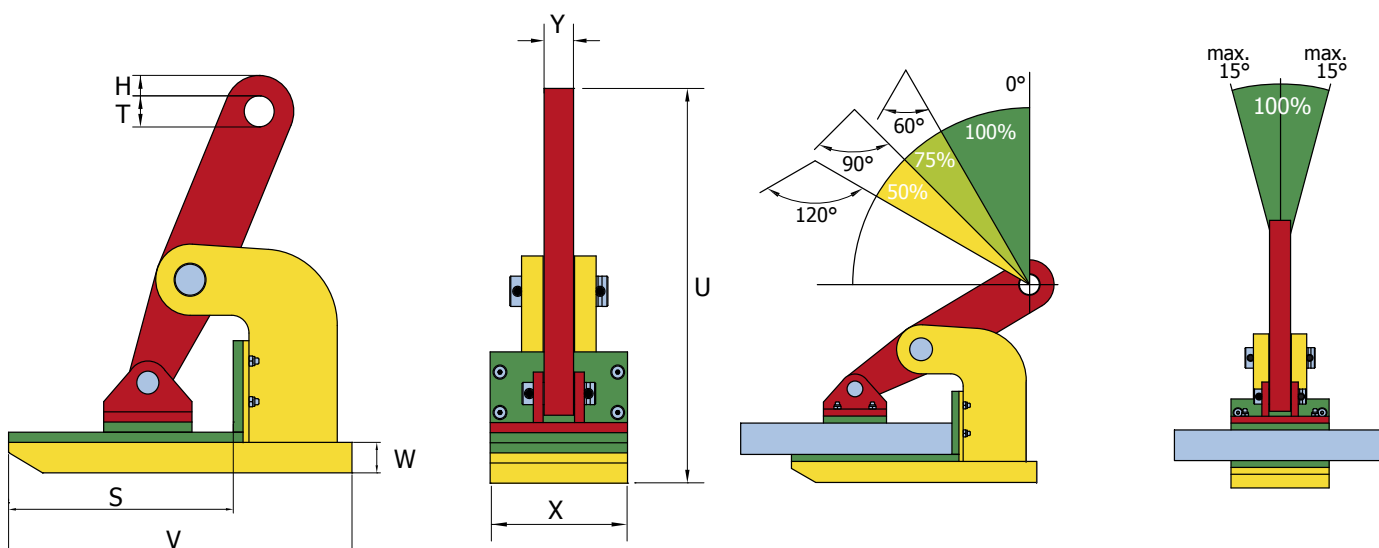
Application:

- For horizontal lifting and transporting of all non-deflecting plates and structures without marking, scratching and or damaging the material surface
- Perfect for lifting materials such as (stainless) steel, aluminum, nature stone, composite, painted materials, wood, glass, plastic, etc.
- Terrier TNMH lifting clamps must always be used in pairs (or multiple pairs)
- Jaw openings available from: 0 to 50 mm
- Working load limit (WLL) 1000 - 6000kg per pair



Features and Benefits:

- Jaw and cam are covered with a special high quality pressure resistant fabric
- Compact design and high lifting capacity
- Lightweight design for easy handling
- Tough quality heavy duty welded body



Article Nr.	Type	Capacity (kg/pair)	Jaw opening (R) (mm)	Dimensions in mm								Weight (kg/pc)
				V	S	W	T	H	U	X	Y	
862810	1 TNMH	1000	0 - 25	140	94	15	20	10	155	65	15	2,4
862820	2 TNMH	2000	0 - 45	225	151	23	30,5	15	267	90	15	7,5
862830	3 TNMH	3000	0 - 45	225	151	20	30,5	15	271	90	15	8,3
862841	4 TNMH	4000	0 - 50	250	161	20	30,5	17,5	300	115	30	13
862861	6 TNMH	6000	0 - 50	250	161	25	30,5	17,5	306	130	30	18

TBLC

Non-marking vertical lifting of materials with parallel sides without minimum WLL

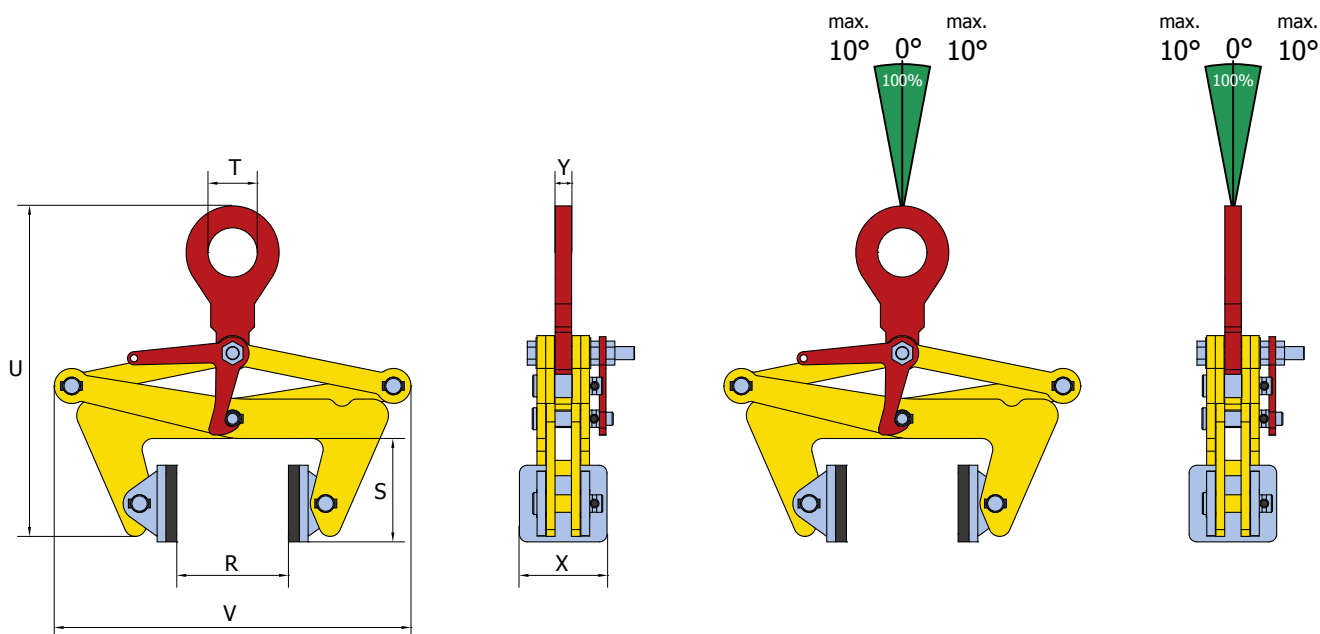
Application:

- For vertical lifting and transporting of all plates, blocks and structures with parallel sides without marking, scratching and or damaging the material surface
- Perfect for lifting materials such as (stainless) steel, aluminum, nature stone, composite, painted materials, wood, glass, plastic, etc.
- The clamp is locked in the open position. To lift, the operator must activate the handle and hold it up while the lifting eye moves up. This will result in the clamp closing. When Laying down the load, the clamp automatically locks itself open
- Jaw openings available from: 30 to 500 mm
- Working load limit (WLL) 500 - 3000kg.
- No min. WLL



Features and Benefits:

- 2 special synthetic anti-friction pads to guarantee non-marking
- Lightweight design and easy to use
- Tough quality heavy duty body
- Maintenance-friendly, easy to exchange parts which are available upon request



Article Nr.	Type	Capacity (kg/pc)	Jaw opening (R) (mm)	Dimensions in mm						Weight (kg/pc)
				V min-max	U min-max	S	T	X	Y	
801005	0.5 TBLC	500	30 - 110	270-325	305-460	95	45	80 (*70)	15	7
801010	1 TBLC	1000	100 - 230	425-530	380 -655	120	45	80 (*70)	15	12,3
801020	2 TBLC	2000	220 - 360	580 -675	410-735	140	45	80 (*70)	15	18
801030	3 TBLC	3000	350 - 500	725-835	530-900	178	64	100 (*90)	16	33

BEAM LIFTING



FBK

Special lifting clamp for handling and vertical in-position lifting of beams

Application:

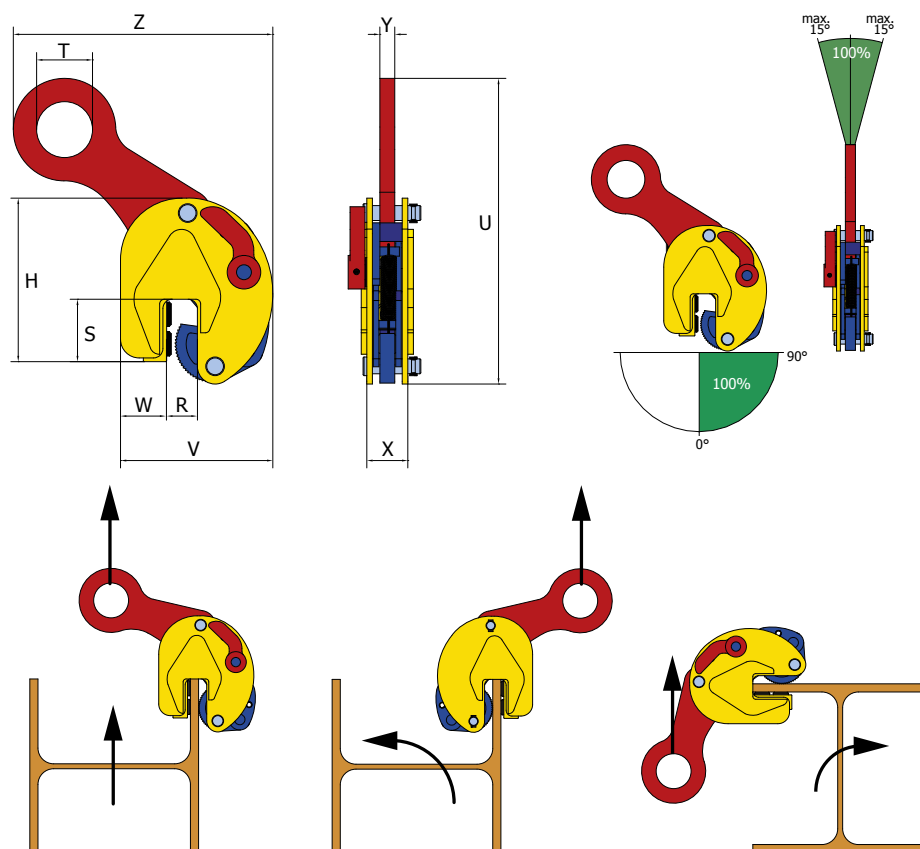
- For vertical lifting, transportation and stacking of steel (H) beams, profiles and structures where the load must stay perfectly in position
- Especially recommended for transportation and stacking of steel (H) beams (e.g. when sawing of steel beams, stacking of steel beams and building of steel constructions)
- Jaw openings available from: 0 to 25 mm
- Working load limit (WLL) 1000 - 3000kg. Min. WLL is 10% of max. WLL

Note: The plate surface of the material must have a hardness level of max. HRC 37/345 Hb



Features and Benefits:

- Special lifting shackle shape which places the gravity centre of the beam or load directly beneath the lifting shackle
- While lifting the equilibrium of the beam is maintained and keeps the flanges vertical so the beam can easily be stacked or positioned
- Always equipped with a safety mechanism, ensuring the clamp does not slip when lifting force is applied and when load is being lowered
- Clamp is locked in closed as well as open position
- Lightweight design for easy handling
- Tough quality heavy duty welded shell body
- Maintenance-friendly, easy to exchange parts which are available upon request



Article Nr.	Type	Capacity (kg/pc)	Jaw opening (R) (mm)	Dimensions in mm									Weight (kg/pc)
				V	W	S	H	T	Z	X	U	Y	
851010	1 FBK	1000	0 - 15	136	43	45	154	35	200	47	225	15	3
851000	1.5 FBK	1500	0 - 20	170	56	67	210	60	312	56	374	16	7
851100	3 FBK	3000	0 - 25	208	58	66	252	70	380	77	410	20	15

TOBK

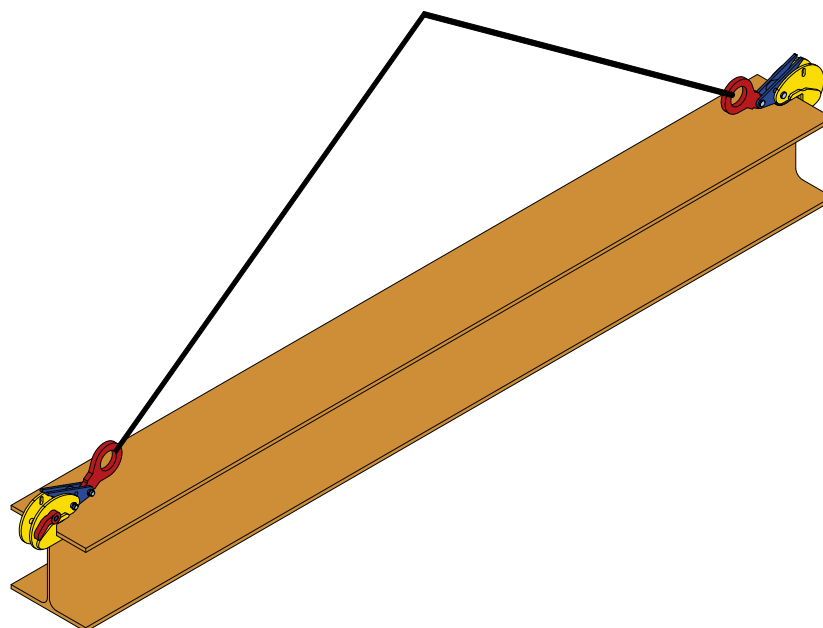
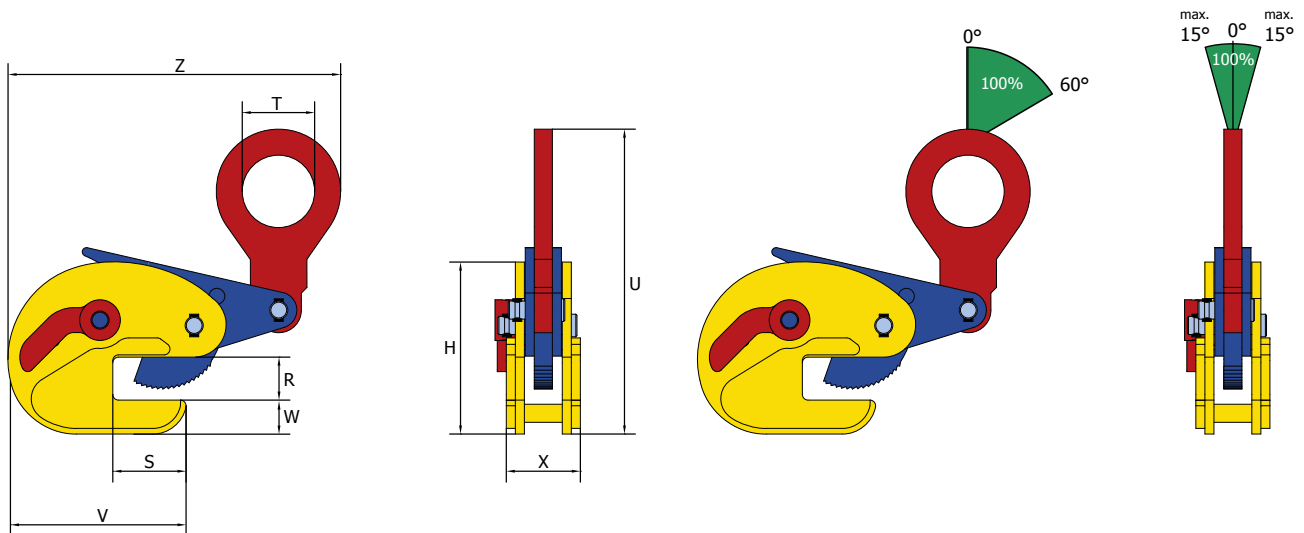
Easy horizontal H-beam lifting

Application:

- For horizontal lifting, transportation and stacking of steel (H) beams, profiles and structures
- Jaw openings available from: 3 to 20 mm
- Working load limit (WLL) 2000kg

Features and Benefits:

- Special design makes it possible to lift steel (H) beams on the flange as well as on the upper ends of the beam
- Always equipped with a safety mechanism, ensuring the clamp does not slip when lifting force is applied and when load is being lowered
- Clamp is locked in closed as well as open position
- Lightweight design for easy handling
- Tough quality heavy duty welded shell body
- Maintenance-friendly, easy to exchange parts which are available upon request



Article Nr.	Type	Capacity (kg/pc)	Jaw opening (R) (mm)	Dimensions in mm										Weight (kg/pc)
				V	W	S	H	T	Z	X	U	Y		
851001	2 TOBK	2000	3 - 20	192	30	64	154	64	285	65	310	15	6,8	

FSV / FSVS / FSVSU

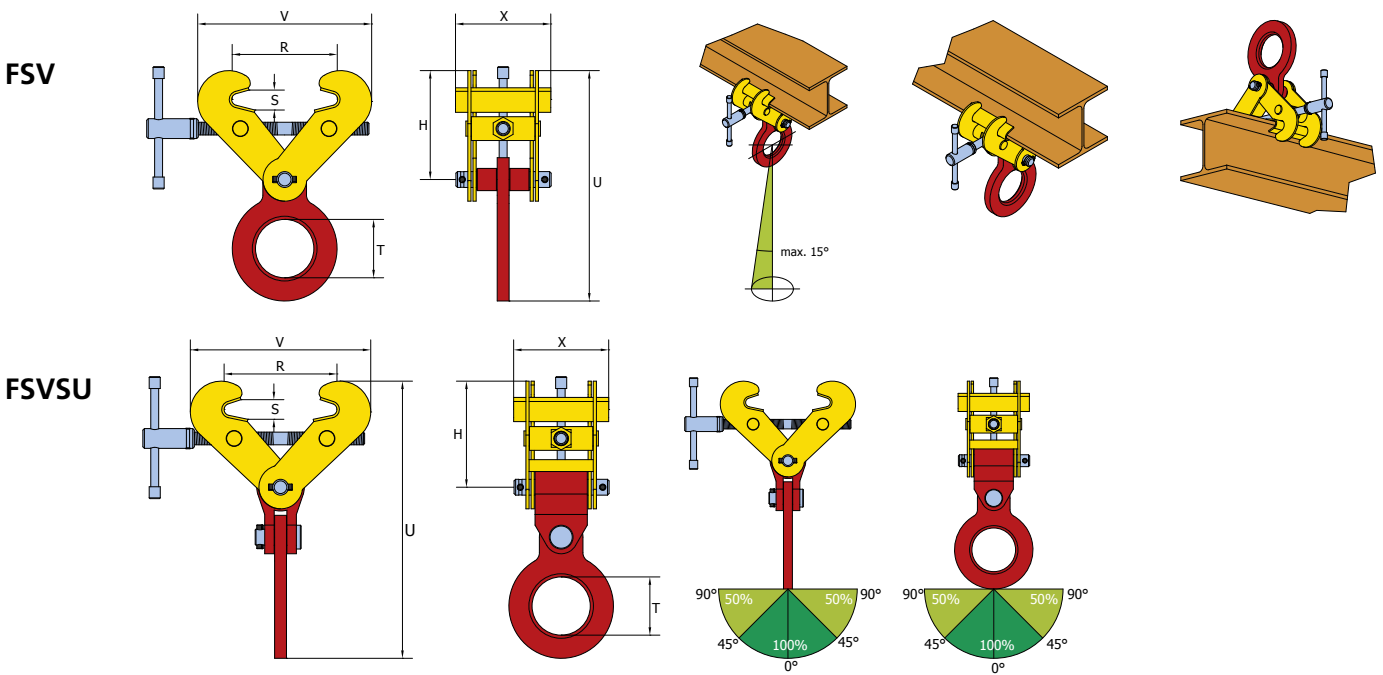
Multi purpose beam screw clamp

Application:

- For horizontal lifting and transportation of steel (H) beams, profiles and structures
- Can be used as upside down attached (temporary) lifting point
- FSV Jaw openings available from: 75 to 450 mm
- FSVS / FSVSU types are supplied with enlarged jaw opening: 75 to 560 mm
- FSV Working load limit (WLL) 1000 - 10000kg. (Higher WLL available upon request)
- FSVS / FSVSU Working load limit (WLL) up to 5000kg

Features and Benefits:

- Special design makes it possible to lift steel (H) beams and structures
- Equal opening and closing of both jaws for simple and quick assembly
- Welded jaw plates for better positioning and less damaging of load
- FSVSU types are supplied with reinforced body and articulated lifting shackle
- Lightweight, maintenance-friendly, heavy duty body



Article Nr.	Type	Capacity (kg/pc)	Jaw opening (R) (mm)	Dimensions in mm						Weight (kg/pc)
				S	T	V-max	U-max	H	X	
851400	1 FSV	1000	75 - 190	30	73,5	357	345	113-192	120	5
851500	2 FSV	2000	75 - 190	30	73,5	357	345	113-192	120	5
851600	3 FSV	3000	75 - 190	30	73,5	357	345	113-192	120	5
851700	4 FSV	4000	150 - 300	40	80	450	422	185-240	180	15
851800	5 FSV	5000	150 - 300	40	80	450	422	185-240	180	15
851110	10 FSV	10000	350 - 450	95	88	695	653	400-447	200	50
962000	2 FSVS	2000	75 - 420	30	73,5	540	428	114-275	120	7
963000	3 FSVS	3000	75 - 420	30	73,5	540	428	114-275	120	7
964000	4 FSVS	4000	150 - 560	40	80	708	545	173-362	180	18
965000	5 FSVS	5000	150 - 560	40	80	708	545	173-362	180	19,5
956300	3 FSVSU	3000	75 - 420	30	73,5	540	486	114-275	120	8
956400	4 FSVSU	4000	150 - 560	40	80	708	613	173-362	180	21
956500	5 FSVSU	5000	150 - 560	40	80	708	622	173-362	180	22

Specifications are subject to change

SCREW CLAMPS



TSCC / TSCC-W

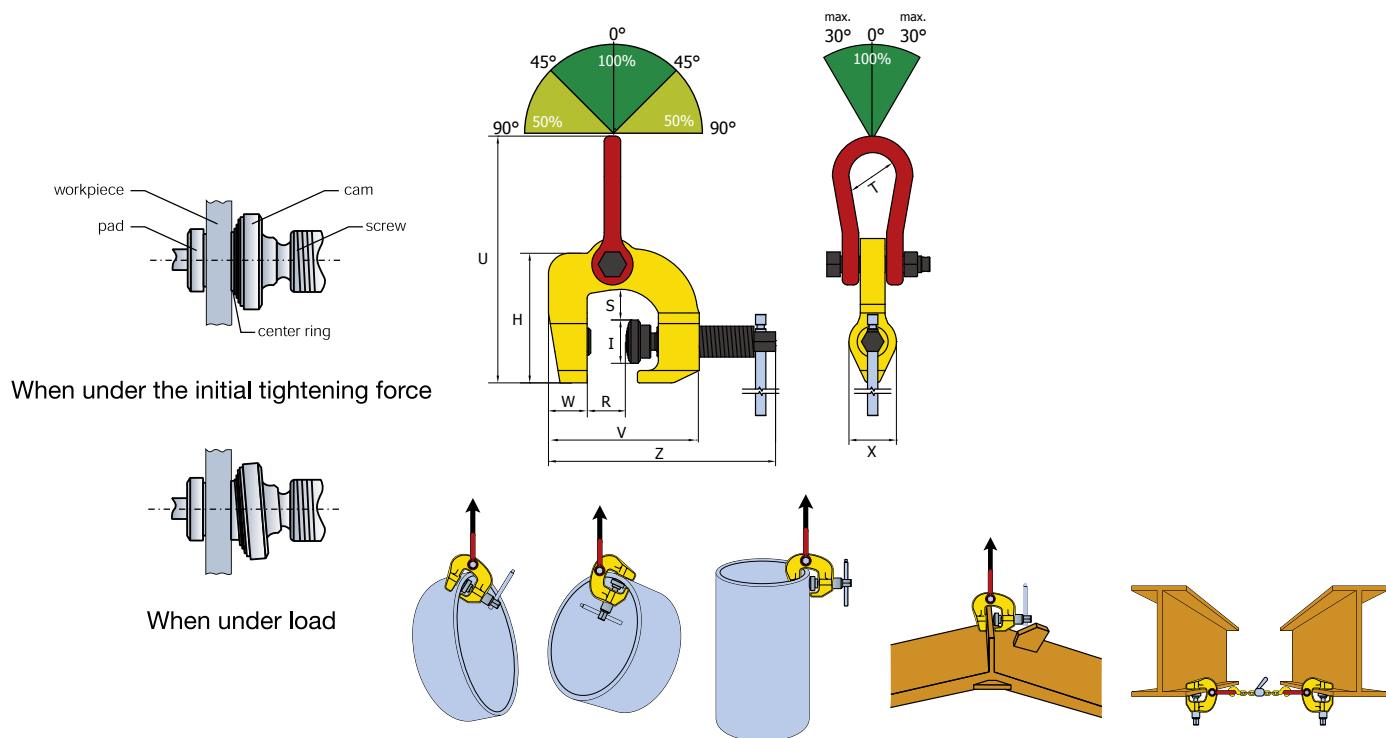
Multi-purpose screw clamp

Application:

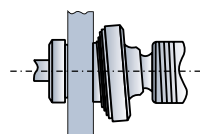
- For vertical and horizontal lifting and transportation of a large variety of steel structures
- Can also be attached upside down and be used as a (temporary) lifting point
- Jaw openings available from: 0 to 100 mm
- TSCC-W types are supplied with enlarged jaw opening
- Working load limit (WLL) 500 - 6000kg.
- No min. WLL

Features and Benefits:

- Special universal design ensures multi-purpose application of lifting steel structures
- Fitted with a moveable cam on the thread spindle which provides a powerful clamping force on the workpiece
- Equipped with a safety screw spindle mechanism, ensuring the clamp does not slip when lifting force is applied
- Lightweight design for easy handling
- Tough quality heavy duty drop forged body
- Forged alloy components, where required
- Maintenance-friendly, easy to exchange parts which are available upon request



When under the initial tightening force



When under load

Article Nr.	Model	Capacity (kg/pc)	Jaw opening (R) (mm)	Dimensions in mm									Weight (kg/pc)
				S	I	W	V	Z	U	H	T	X	
900500	0.5 TSCC	500	0 - 35	18	27,5	26	108	158	211	82	25	27	1
862710	1 TSCC	1000	0 - 30	44	42	46	175	210	204	128	38	46	3,2
901500	1.5 TSCC	1500	0 - 40	29	42	40	150	220	232	140	46	46	3,5
903000	3 TSCC	3000	0 - 60	38	50	46	190	280	278	184	50	60	7,8
906000	6 TSCC	6000	0 - 100	60	63	70	296	446	390	249	100	75	22
862711	1 TSCC-W	1000	50 - 100	88	42	50	225	258	273	190	45	46	6,3
862731	3 TSCC-W	3000	25 - 75	76	49	60	215	250	291	191	50	54	7,8

TBS

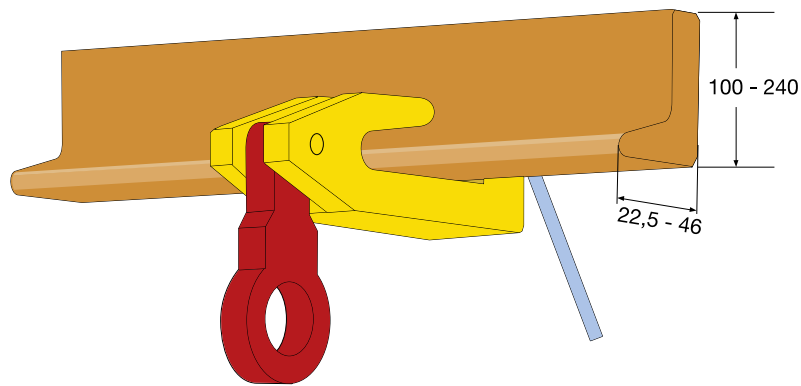
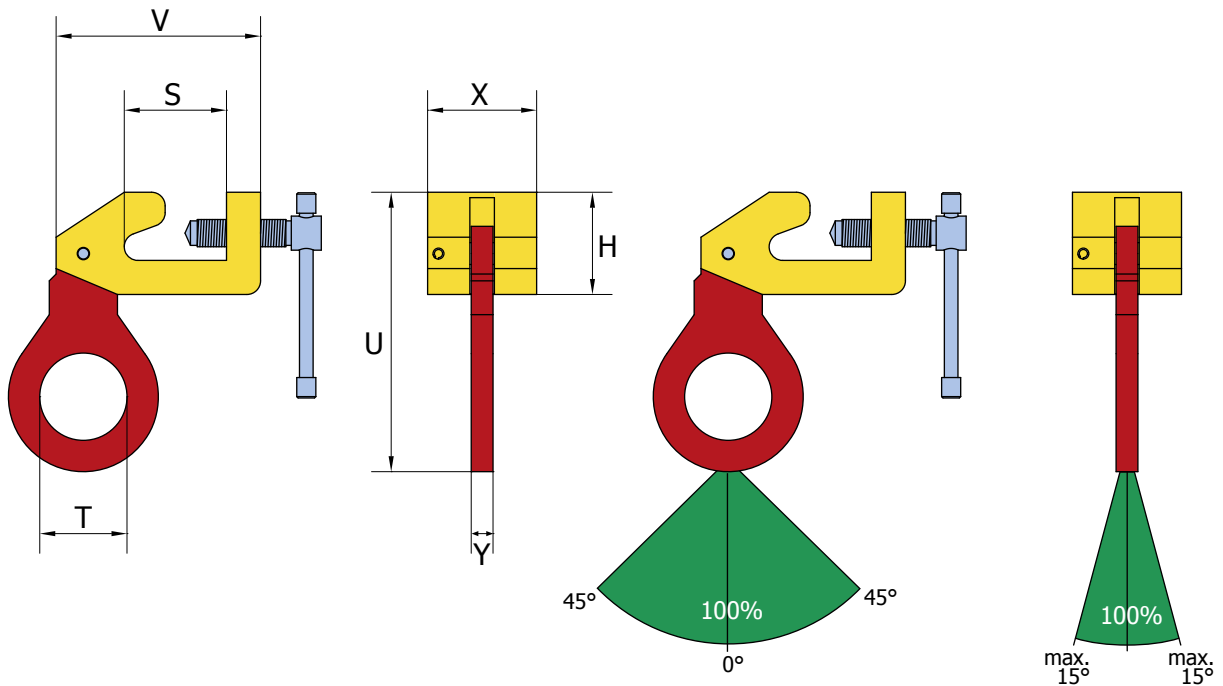
Multi-purpose screw clamp for HP-profiles

Application:

- For use as a (temporary) lifting point in spaces with HP- (bulb) profiles, like sectional ship parts and ship engine rooms
- The moment a load is applied, the clamp is automatically fixed
- Used for HP-100 to HP-240 (bulb) profiles
- Working load limit (WLL) 1500 - 3000kg

Features and Benefits:

- Equipped with a thread spindle for easy attachment, providing a powerful clamping force on the workpiece
- Lightweight design for easy handling
- Tough quality heavy duty body
- Maintenance-friendly, easy to exchange parts which are available upon request



Article Nr.	Type	Capacity (kg/pc)	Jaw opening (R) (mm)	Dimensions in mm								Weight (kg/pc)
				V	S	T	U	H	X	Y		
862150	1.5 TBS	1500	HP100-240	150	74	45	180	75	40	16	2,9	
862400	3 TBS	3000	HP100-240	150	75	65	205	75	80	16	6	

DRUM LIFTING



TVK

Special lightweight heavy duty clamp for drum lifting

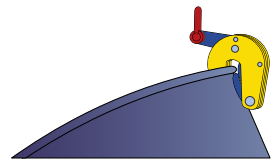
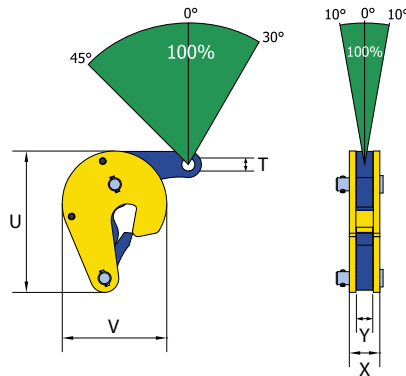
Application:

- Designed for safe lifting, handling and transporting of steel (oil) drums
- Single clamp application on empty or filled sealed drums
- Filled open drums should be lifted by use of two clamps with a two leg chain sling
- Jaw opening available from: 0 to 17 mm
- Working load limit (WLL) 500kg



Features and Benefits:

- With automatic locking mechanism
- Lightweight design for easy handling
- Tough quality heavy duty welded shell body
- Maintenance-friendly, easy to exchange parts which are available upon request



Article Nr.	Type	Capacity (kg/pc)	Jaw opening (R) (mm)	Dimensions in mm					Weight (kg/pc)
				U	V	T	X	Y	
828000	TVK	500	0 - 17	121	96	12	28	15	1,3

TVKH

Special lightweight heavy duty clamp for upright drum lifting

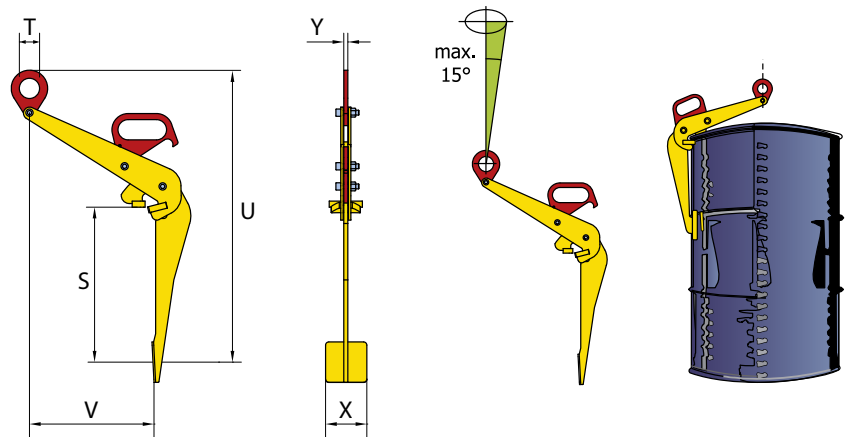
Application:

- Designed for lifting, handling and transporting of (oil) drums, where the drums have to stay in a upright position
- Single clamp application on empty or filled drums
- During lifting and transportation the centre of gravity of the drum is always below the lifting point
- Jaw openings available from: 0 to 25 mm
- Working load limit (WLL) 600kg



Features and Benefits:

- Lightweight design for easy handling in tight spaces between other drums
- Tough quality heavy duty welded shell body
- Equipped with a manual safety lock mechanism so that the clamp is locked in the open position
- Maintenance-friendly, easy to exchange parts which are available upon request



Article Nr.	Type	Capacity (kg/pc)	Jaw opening (R) (mm)	Dimensions in mm						Weight (kg/pc)
				U	S	V	T	X	Y	
828100	TVKH	600	0 - 25	765	434	305	50	100	10	7

TVSH

Special lightweight heavy duty clamp for laying drum lifting

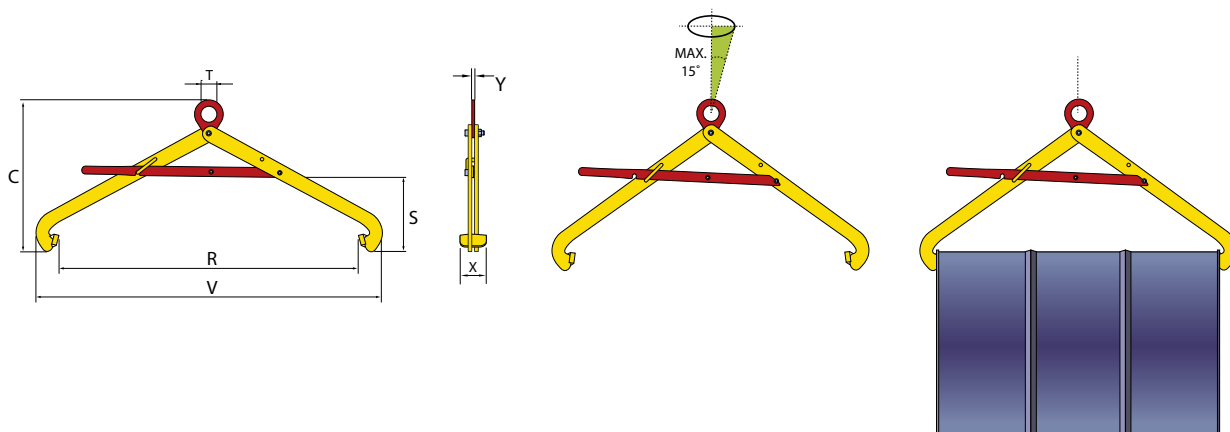
Application:

- Designed for lifting, handling and transporting of (oil) drums, where the drums have to stay in a laying position
- Single clamp application on empty or filled drums
- During lifting and transportation the centre of gravity of the drum is always below the lifting point
- Jaw openings available from: 500 to 900 mm
- Working load limit (WLL) 600kg



Features and Benefits:

- Lightweight design for easy handling in tight spaces between other drums
- Tough quality heavy duty welded shell body
- Equipped with a manual safety lock mechanism so that the clamp is locked in the open position
- Maintenance-friendly, easy to exchange parts which are available upon request



Article Nr.	Type	Capacity (kg/pc)	Jaw opening (R) (mm)	Dimensions in mm						Weight (kg/pc)
				U	S	V	T	X	Y	
828200	TVSH	600	500-900	475	230	1080	50	82	10	7

PIPE LIFTING



TPH / TPH-HD

Heavy duty clamp with high pressure resistant plastic for horizontal pipe lifting

Application:

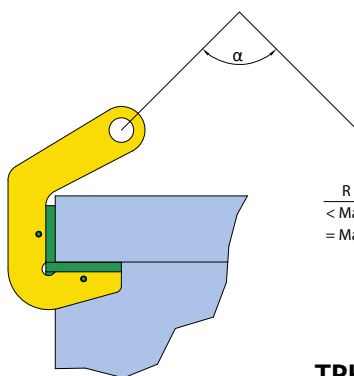
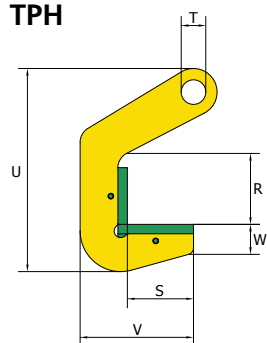
- For horizontal lifting and transporting of steel and concrete pipes without damaging the product
- TPH-HD version is specially designed for extreme heavy duty lifting situations (eg. loading and unloading ships)
- Terrier TPH lifting clamps must always be used in pairs
- Jaw openings available up to 70 mm
- Working load limit (WLL) 1500 - 60000kg per pair (Higher WLL available upon request)

Features and Benefits:

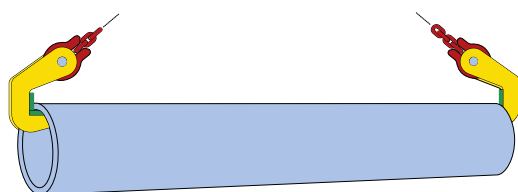
- TPH Jaw is covered with a special high quality pressure resistant plastic
- TPH-HD Jaw is covered with special high quality extreme high pressure resistant plastic
- Maintenance-friendly clamps, plastic pressure resistant cover is easy to change
- TPH-HD has special handle for easy handling
- Compact design and high lifting capacity
- Lightweight design for easy handling
- Tough quality heavy duty body



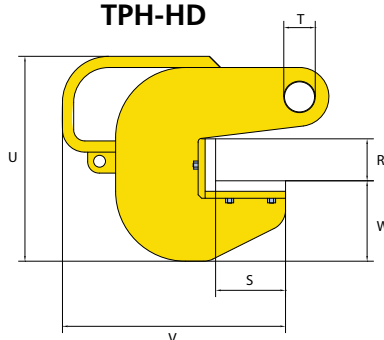
TPH



TPH	
R	α
< Max	10 - 60°
= Max	10 - 90°



TPH-HD



TPH-HD	
R	α
< Max	10 - 90°
= Max	10 - 120°

Article Nr.	Type	Capacity (kg/pair)	Jaw opening (R) (mm)	Dimensions in mm							Weight (kg/pc)
				V	S	W	U	T	X	Y	
960150	1.5 TPH	1500	40	120	70	50	185	16	41	25	2
960300	3 TPH	3000	40	120	70	50	185	16	41	25	2
960400	4 TPH	4000	50	140	70	58	204	26	41	25	3
960600	6 TPH	6000	50	140	70	58	204	26	41	25	3
960800	8 TPH	8000	70	140	70	58	224	26	45	25	3,4
960810	10 TPH	10000	70	140	70	58	224	26	85	45	7
960812	12 TPH	12000	70	140	70	58	224	26	85	45	7
960915	15 TPH	15000	70	155	70	76	250	26	100	60	9
960920	20 TPH	20000	70	155	70	76	250	26	100	60	9
965050	5 TPH-HD	5000	60	271	100	85	230	26	80	20	6,7
965100	10 TPH-HD	10000	60	271	100	85	230	26	80	30	9,7
965200	20 TPH-HD	20000	60	291	100	105	269	36	80	35	14
965300	30 TPH-HD	30000	60	309	100	115	293	43	80	40	19
965600	60 TPH-HD	60000	60	309	100	115	313	62	80	60	28,5

TBC / TBC-A

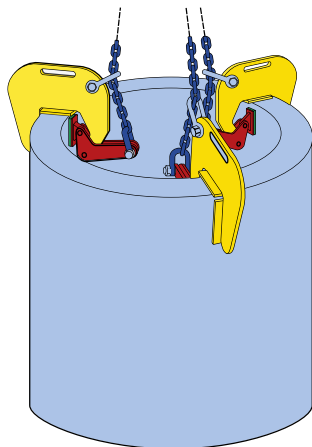
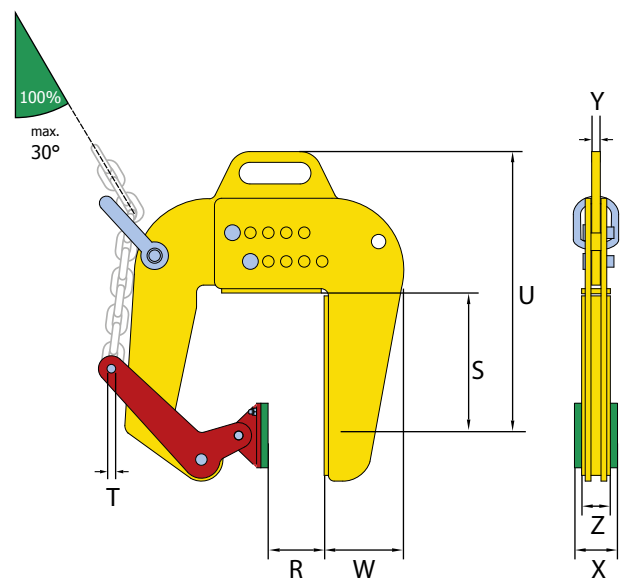
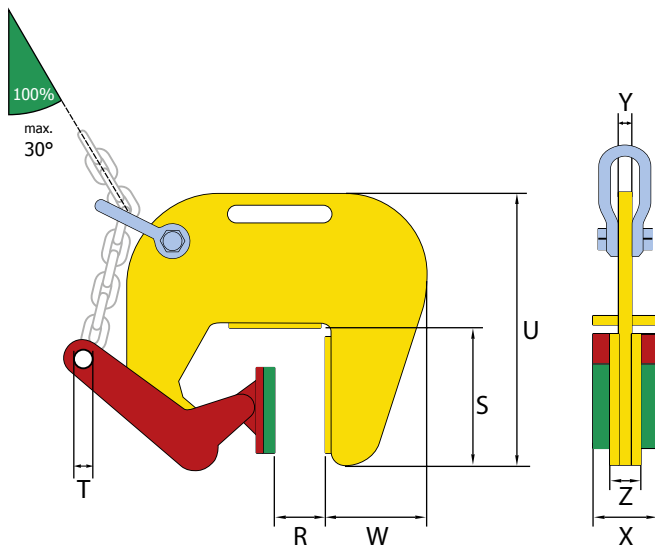
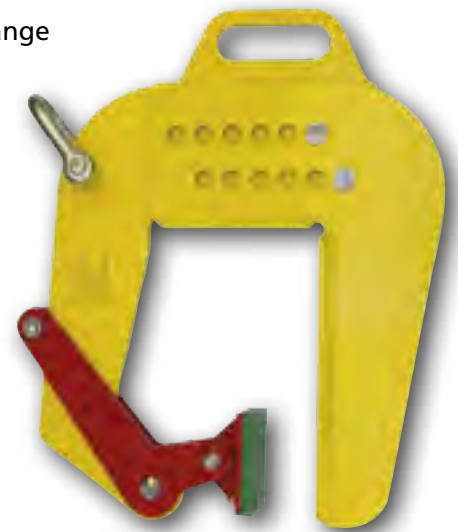
Lightweight clamp with pressure resistant plastic cam for vertical concrete pipe lifting

Application:

- For vertical lifting and transporting of concrete pipes and wells
- Terrier TBC / TBC-A lifting clamps must always be used in pairs (or per three clamps)
- TBC jaw opening available from: 60 to 120 mm
- TBC-A has an extra large jaw opening available from: 50 to 220 mm (adjustable in steps of 25 mm)
- Working load limit (WLL) 1000kg
- Other jaw openings available upon request

Features and Benefits:

- The cam is covered with a special high quality pressure resistant plastic
- Maintenance-friendly clamp, plastic pressure resistant cover is easy to change
- Tough quality welded body
- Lightweight design for easy handling



Article Nr.	Type	Capacity (kg/pc)	Jaw opening (R) (mm)	Dimensions in mm							Weight (kg/pc)
				U	S	W	T	X	Z	Y	
870101	1 TBC	1000	60 -120	326	169	97	12	60	40	12	10
870105	1 TBC-A	1000	50 -220	459	262	106	12	60	40	12	15

TTL

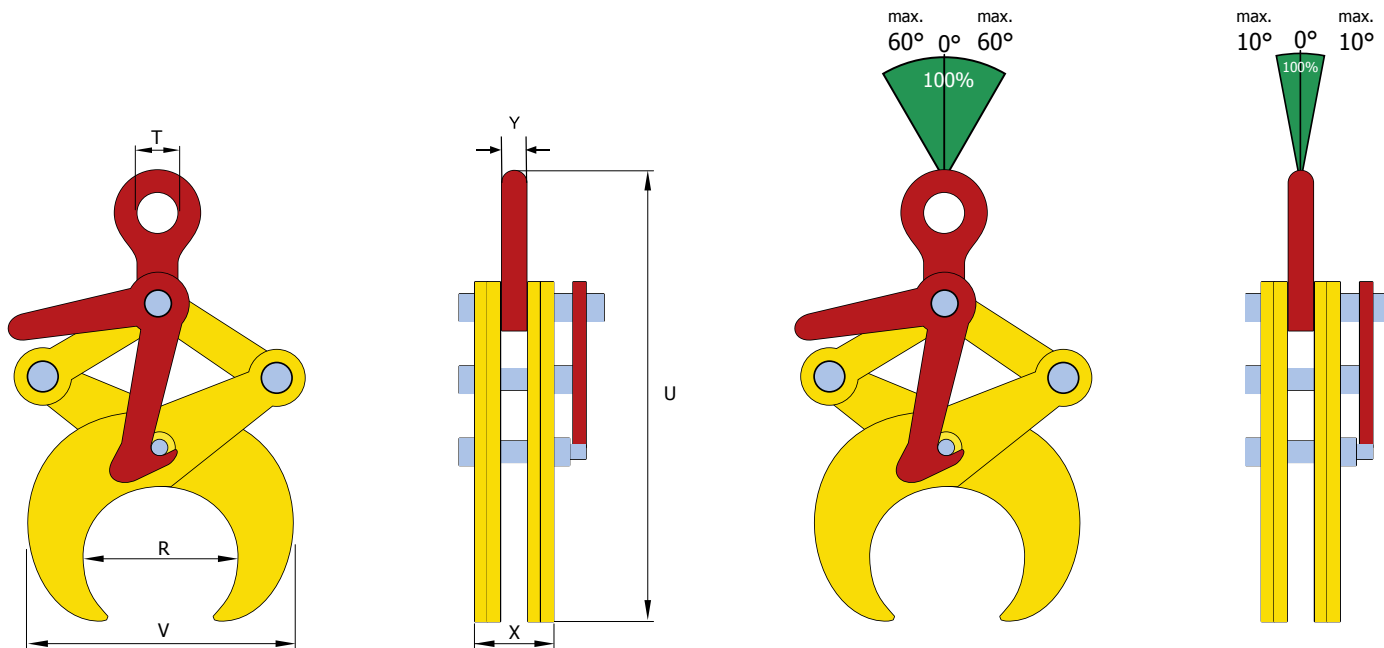
Lightweight clamp for horizontal lifting of tubes, pipes and solid round materials

Application:

- For horizontal lifting and transporting of tubes, pipes, tube bundles, rolls and other solid round materials
- The clamp is locked in the open position. To perform lifting, the operator must activate the handle and hold it up while the force on the lifting eye is going upwards. When laying down the load, the clamp automatically locks itself open
- TTL jaw opening available from: 48,3 to 508 mm
- Working load limit (WLL) 500 - 3000kg
- Higher WLL or jaw openings available upon request

Features and Benefits:

- Lightweight design and easy to use
- Tough quality body
- Can be delivered with protection to avoid damaging of the load



Article Nr.	Type	Capacity (kg/pc)	Jaw opening (R) (mm)	Dimensions in mm					Weight (kg/pc)
				V min-max	U min-max	T	X	Y	
800550	0.5 TTL	500	48,3 - 114,3	146-207	300-400	45	47	15	4,5
801011	1 TTL	1000	114,3 - 219,1	110-170	430-615	45	47	15	9
802021	2 TTL	2000	219,1 - 368	490-610	670-955	64	56	16	31
803036	3 TTL	3000	368 - 508	590-710	875-1165	64	56	16	39

SPECIAL LIFTING



HARDOX

Extra hardened pivot and cam for Hardox lifting

Application:

- For vertical lifting, transporting and turning of all steel plates with a hardness of max. 50 HRC (for example Hardox 400 and 500). Please ask for special specifications
- Check application, capacity diagrams and lifting eye variants for above types on pages 9, 10 and 11
- Jaw openings available from: 0 to 55 mm. Working load limit (WLL) 750 - 7500kg
- Min. WLL is 10% of max. WLL.

Note: The plate surface of the material must have a hardness level of max. HRC 50/485 Hb

Features and Benefits:

- Equipped with an extra hardened pivot and cam
- Cam is coloured green for easy identification
- Always equipped with a safety mechanism, ensuring the clamp does not slip when lifting force is applied and when load is being lowered
- Clamp is locked in closed as well as open position
- Lightweight design for easy handling
- Tough quality heavy duty welded shell body
- Maintenance-friendly, easy to exchange parts which are available upon request



Article Nr.	Type	Capacity (kg/pc)	Jaw opening (R) (mm)	Dimensions in mm							Weight (kg/pc)
				S	T	U	V	W	X	Y	
850000.5	0.75 TS-H	750	0 - 13	47	30	202	100	37	37	10	1,7
850880.5	1 TSE-H	1000	0 - 25	56	45	263	141	37	47	15	3,5
850901.5	2 TSE-H	2000	0 - 35	78	64	336	183	56	56	16	7
850331.5	3 TSE-H	3000	0 - 35	78	64	336	183	56	56	16	7
850451.5	4.5 TSE-H	4500	0 - 45	85	70	425	228	60	78	20	16
851411.5	6 TSE-H	6000	0 - 50	114	75	490	259	82	78	20	21
851501.5	7.5 TSE-H	7500	0 - 55	111	75	522	267	70	86	20	26
850010.5	0.75 TSMP-H	750	0 - 13	47	30	307	100	37	37	10	2
850818.5	1 TSEMP-H	1000	0 - 25	56	45	403	141	37	47	15	4,5
850911.5	2 TSEMP-H	2000	0 - 35	78	64	516	183	56	56	16	8
850221.5	3 TSEMP-H	3000	0 - 35	78	64	516	183	56	56	16	8
851401.5	4.5 TSEMP-H	4500	0 - 45	85	70	650	228	60	78	20	19
850311.5	6 TSMP-H	6000	0 - 32	114	75	760	225	78	78	20	24
851510.5	7.5 TSEMP-H	7500	0 - 55	111	75	792	267	70	86	20	30,5
855000.5	0.75 TSU-H	750	0 - 13	47	30	203	100	37	37	10	1,8
865800.5	1 TSEU-H	1000	0 - 25	56	50	292	141	37	47	15	3,8
855601.5	2 TSEU-H	2000	0 - 35	78	70	372	183	56	56	16	8
865331.5	3 TSEU-H	3000	0 - 35	78	70	372	183	56	56	16	8
865301.5	4.5 TSEU-H	4500	0 - 45	85	70	431	228	60	78	20	16,5
865411.5	6 TSEU-H	6000	0 - 50	114	78	527	259	82	78	32	24
855400.5	7.5 TSEU-H	7500	0 - 55	111	78	560	267	70	86	32	28

STELCON

Heavy duty plate hooks for Stelcon lifting



TRC

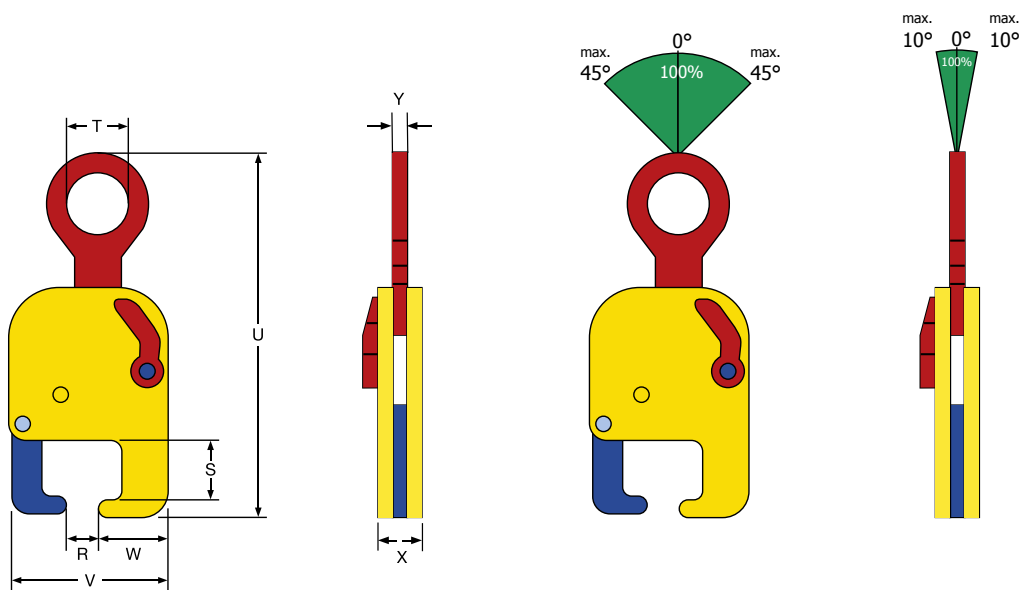
Lightweight heavy duty clamp for horizontal rail lifting

Application:

- For horizontal lifting, transporting and turning of rail profiles
- Jaw opening available from: 40 to 75 mm. Working load limit (WLL) 1500kg
- Because of the wide range of rail profiles other profile dimensions and capacities available upon request

Features and Benefits:

- With special cam for rail profiles
- Always equipped with a safety mechanism, ensuring the clamp does not slip when lifting force is applied and when load is being lowered
- Clamp is locked in closed as well as open position
- Lightweight design for easy handling
- Tough quality heavy duty welded shell body
- Maintenance-friendly, easy to exchange parts which are available upon request

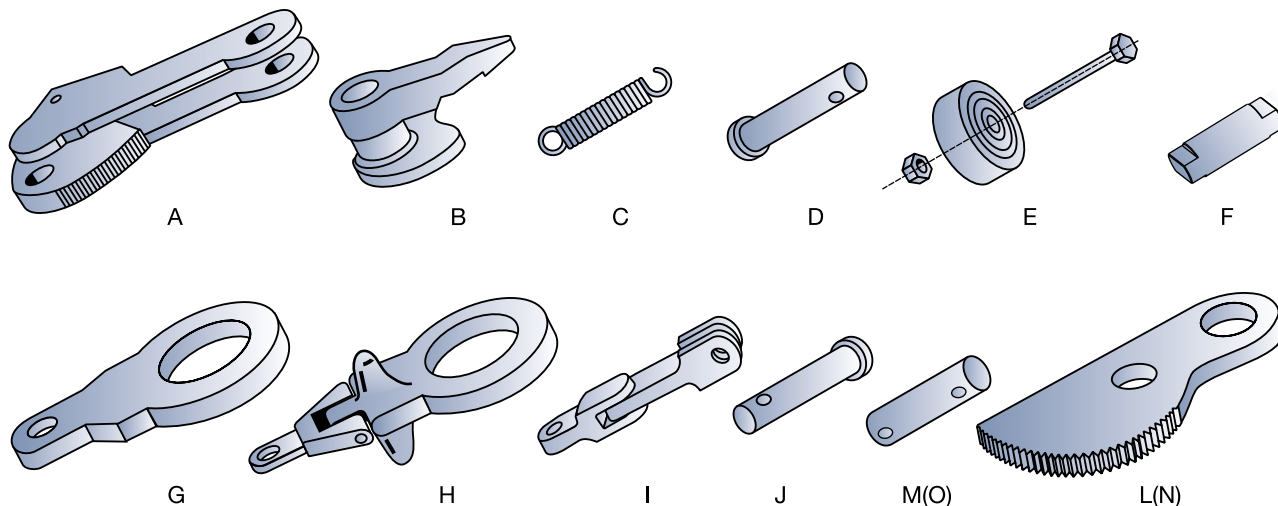


Article Nr.	Type	Capacity (kg/pc)	Jaw opening (R) (mm)	Dimensions in mm							Weight (kg/pc)
				S	T	U	V	W	X	Y	
815000	TRC	1500	40-75	64	65	394	170	73	48	16	7

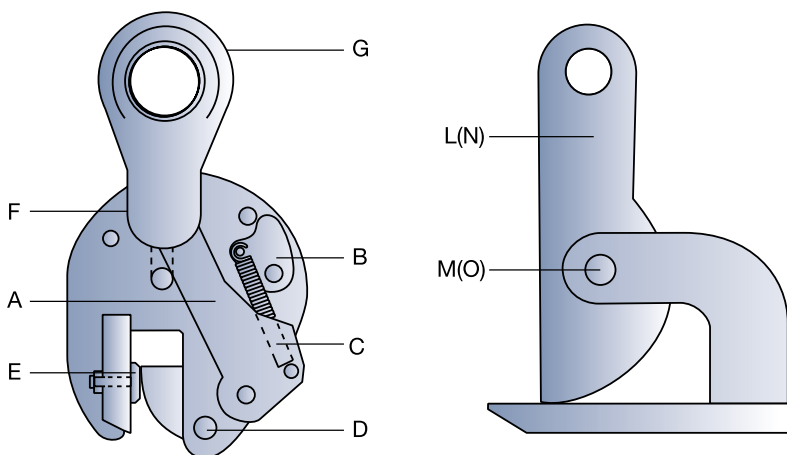
SPARE PARTS SERVICE

All spare parts are available either separately or as repair sets. Terrier spare parts sets come with a special discount. It is recommended when any parts are damaged to replace them straight away without taking any risk.

When you order spare parts always indicate the: model, lifting capacity, jaw opening and serial number of the clamp as well as the required parts.



- A Cam assembly
- B Lock lever assembly
- C Lock spring
- D Cam pin
- E Pivot complete
- F Shackle pin
- G Lifting eye for TS, STS, MP model
- H Lifting eye for TSU, TSEU model
- I Linkage arr. TSMP, STSMP model
- J Link pin for MP model
- L Cam for FHX model
- M Cam pin for FHX model
- N Cam for FHSX model
- O Cam pin for FHSX model



For every vertical clamps are revision sets & repair sets available.

The **repair sets** contain:

- A: Cam assembly
- C: Lock spring
- D: Cam pin
- E: Pivot set

The **revision sets** contain:

- A: Cam assembly
- B: Lock lever assembly
- C: Lock spring
- D: Cam pin
- E: Pivot complete



Repair set



ООО "РУД Лифтинг"

г. Санкт-Петербург

Спасский пер. 9/24 лит. А, пом. 11-Н

е-mail: info@rudlifting.ru

Телефон +7 (812) 309 11 46

Факс +7 (812) 968 01 75

WWW.RUDLIFTING.RU

2016/2017 EN